

Ex position switches

// Series Ex 12 W-s 5m

Features/options

- Ex zone 1 and 2, as well as 21 and 22
- Metal enclosure with adapter plate made of stainless steel 1.4404
- Snap action, change-over contact with single break
- With pre-wired cable, cable length 5 m, cable on side
- Screwed with adapter plate

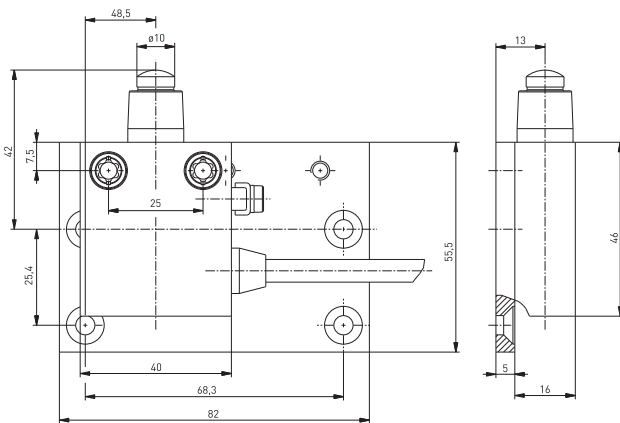
// EX 12 W



1

Technical Data

Standards	EN 60079-0; EN 60079-1; EN 60079-31; EN 60947-5-1
Enclosure	aluminium die-cast, hard-coated
Degree of protection	IP 65 to IEC/EN 60529
Contact material	silver
Switching system	snap action
Switching elements	change-over contact with single break
Connection	cable H05VV-F, 4 x 0.75 mm ²
Uimp	4 kV
Ui	250 V
Ithe	5 A
Utilisation category	AC-15; DC-13
Ie/Ue	5 A/250 VAC; 0.16 A/230 VDC
Max. fuse rating	5 A gG/gN fuse
Ambient temperature	-20 °C ... +60 °C
Mechanical life	> 1 million operations
Operation cycles	1800/h
Repeat accuracy of switching points	± 0.1 mm
Ex marking	⊕ II 2G Ex d IIC T6 Gb ⊕ II 2D Ex tb IIIC T80 °C Db IECEX Ex d IIC T6 Gb Ex tb IIIC T80 °C Db IP65
Approvals	PTB 03 ATEX 1067 X IECEX PTB 11.0089X ERC Ex



Contact variants: switch travel/contacts

	Snap action	Order number
1 change-over contact	Ex 12 W-s-5m 0 1.5 5.5 GY-BK GY-BN	1395762

Type code

Ex 12 W-s 5m

- Cable length
- Cable on side
- Watertight collar
- Series
- Ex certified component

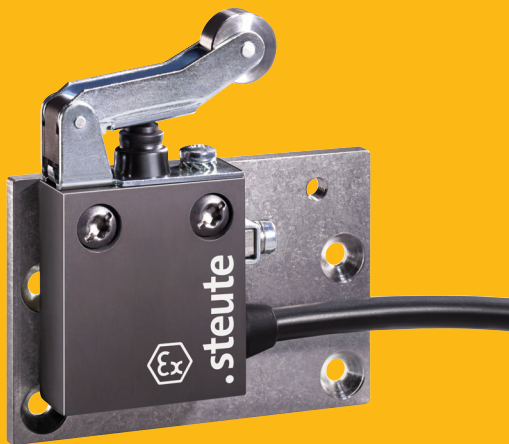
Ex position switches

// Series Ex 12 WHL-s 5m

Features/options

- Ex zone 1 and 2, as well as 21 and 22
- Metal enclosure with adapter plate made of stainless steel 1.4404
- Snap action, change-over contact with single break
- With pre-wired cable, cable length 5 m, cable on side
- Screwed with adapter plate

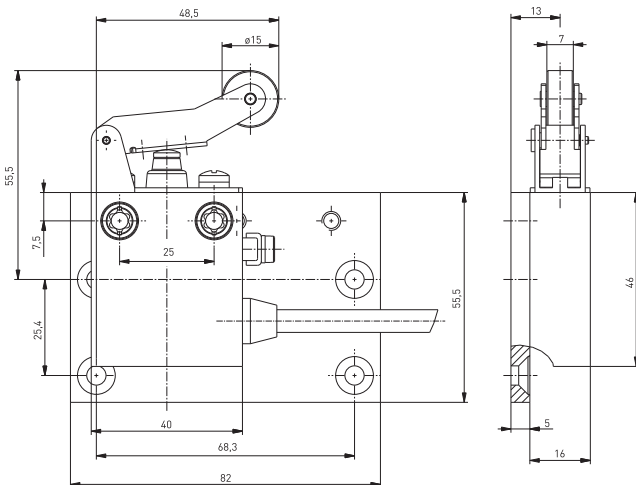
// EX 12 WHL



Technical data

Standards	EN 60079-0; EN 60079-1; EN 60079-31; EN 60947-5-1
Enclosure	aluminium die-cast, hard-coated
Degree of protection	IP 65 to IEC/EN 60529
Contact material	silver
Switching system	snap action
Switching elements	change-over contact with single break
Connection	cable H05VV-F, 4 x 0.75 mm ²
Uimp	4 kV
Ui	250 V
Ithe	5 A
Utilisation category	AC-15; DC-13
Ie/Ue	5 A/250 VAC; 0.16 A/230 VDC
Max. fuse rating	5 A gG/gN fuse
Ambient temperature	-20 °C ... +60 °C
Mechanical life	> 1 million operations
Operation cycles	1800/h
Repeat accuracy of switching points	± 0.1 mm
Ex marking	⊕ II 2G Ex d IIC T6 Gb ⊕ II 2D Ex tb IIIC T80 °C Db IECEx Ex d IIC T6 Gb Ex tb IIIC T80 °C Db IP65
Approvals	PTB 03 ATEX 1067 X IECEx PTB 11.0089X ERC Ex

2



Contact variants: switch travel/contacts

	Snap action	Order number
1 change-over contact	Ex 12 WHL-s-5m 0 4.1 12.8 GY-BK GY-BN	1410054

Type code

Ex 12 WHL-s 5m

█ Cable length
█ Cable on side
█ Actuator HL
█ Watertight collar
█ Series
█ Ex certified component