



Contact characteristics

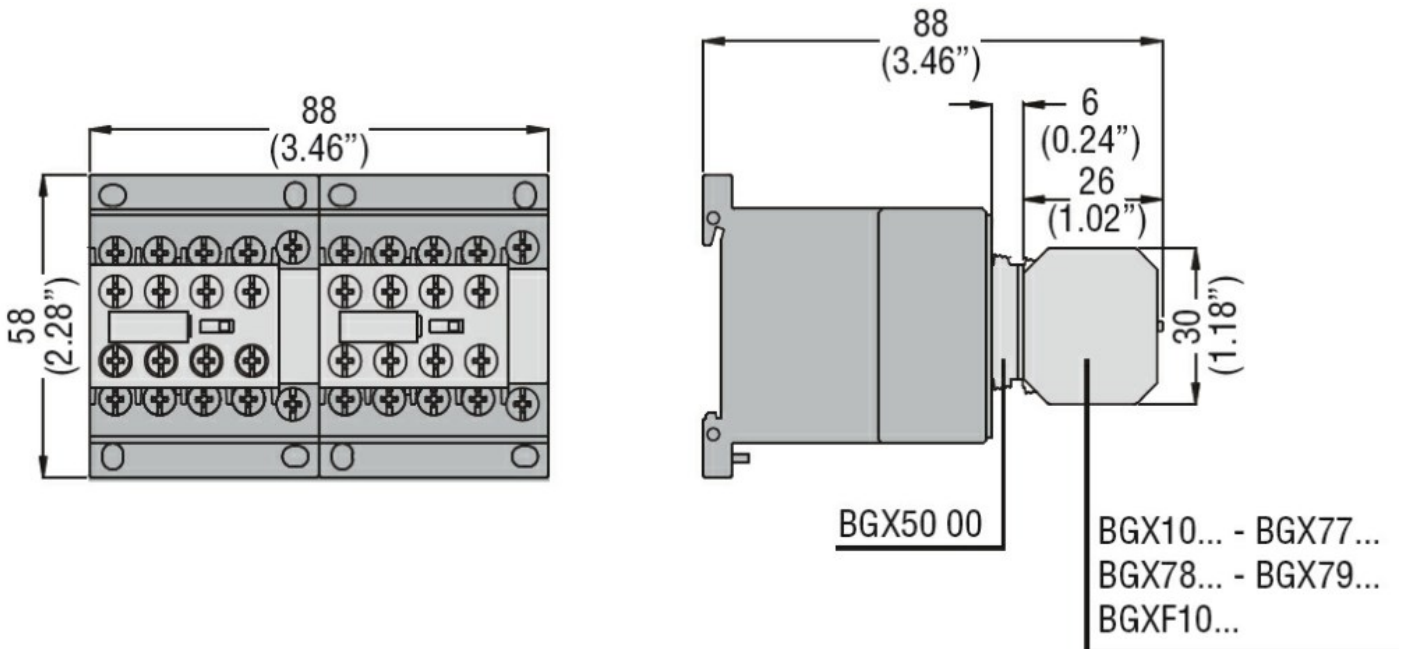
Tightening torque for terminals

min	Ibin	9
max	Ibin	9

Tightening torque for coil terminal

min	Ibin	9
max	Ibin	9

Dimensions [mm (in)]



Certifications and compliance

Compliance

- CSA C22.2 n° 60947-1
- IEC/EN 60947-1
- UL 60947-1

Certificates

- cULus
- EAC

ETIM classification

ETIM 8.0

EC001044 -
Mechanic
interlock for
switch