



## Position switch with safety function

ES 13 R 1Ö/1S - 2m

Material no.: 1044991 (material no. old: 13009901)

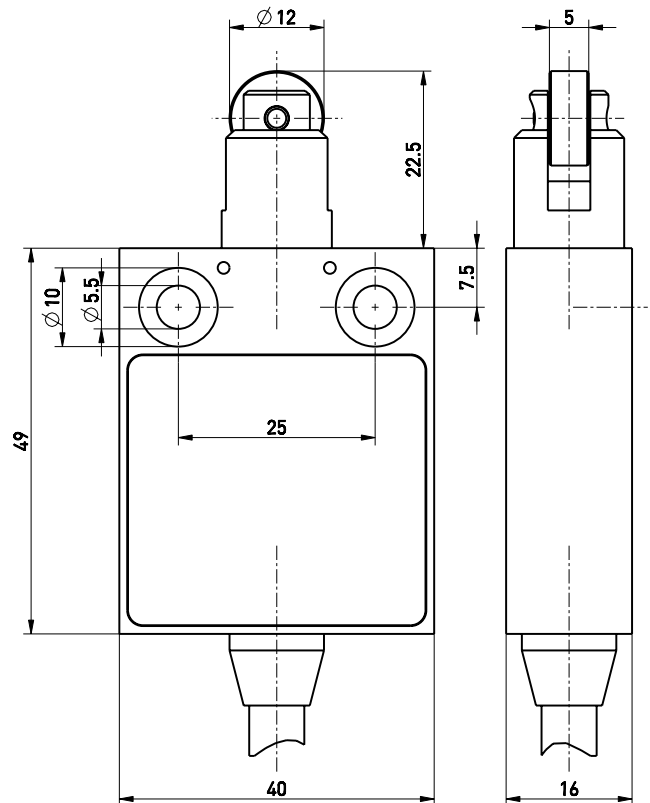
### Product features

- Thermoplastic enclosure
- Double insulated  $\square$
- Suitable for in-line mounting
- With pre-wired cable
- Actuator: Roller plunger R
- Actuating speed max. 0.5 m/s with a vertical actuating angle of 30°
- Metal roller

### Notes

- Actuator can be repositioned by 90° on request

### Dimensions



### Technical data

#### Applied standards

EN ISO 13849-1, EN 60947-5-1, EN ISO 14119

#### Enclosure

thermoplastic, glass-fibre reinforced, shockproof, self-extinguishing UL 94 V-0

#### Switch type

type 1

#### Coding level

no coding

#### Tightening torque

enclosure mounting screws: max. 5 Nm

#### Degree of protection

IP67 (IEC/EN 60529)

#### B<sub>10d</sub> (10 % load)

2 million

#### T<sub>M</sub>

max. 20 years

#### Contact material

silver

#### Switching system

slow action, positive break NC contacts  $\ominus$

#### Switching elements

1 NC/1 NO contact, type Zb

#### Connection

pre-wired cable H05VV-F

#### Cable cross-section

4 x 0.75 mm<sup>2</sup>

#### Cable length

2 m

#### Rated impulse withstand voltage U<sub>imp</sub>

4 kV

#### Rated insulation voltage U<sub>i</sub>

250 V

#### Conventional thermal current I<sub>the</sub>

6 A

#### Rated operating current/voltage I<sub>e</sub>/U<sub>e</sub>

6 A/250 VAC; 0.25 A/230 VDC; 4 A/24 VDC

Errors and omissions excepted.



## Position switch with safety function

ES 13 R 1Ö/1S - 2m

Material no.: 1044991 (material no. old: 13009901)

### Technical data (contd.)

---

#### Utilisation category

AC-15; DC-13

#### Short-circuit protection

6 A gG/gN fuse

#### Ambient temperature

-20 °C ... +75 °C

#### Mechanical life

> 1 million operations

#### Operation cycles

max. 1800/h

#### Repeat accuracy of switching points

± 0.1 mm

#### Contact opening

max. 2 x 4.5 mm

#### Approvals

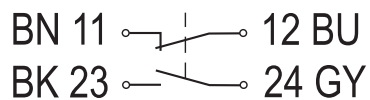


#### Weight

220 g

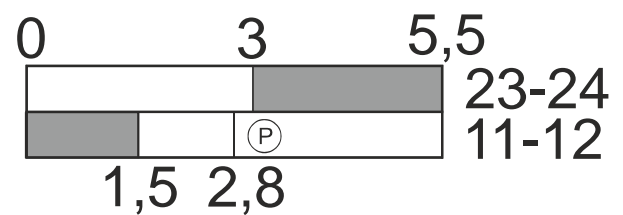
### Contact diagram

---



### Switching diagram

---



Ⓟ Positive break travel/angle