



Position switch with safety function

ES 13 R 1Ö/1S - 5m

Material no.: 1044997 (material no. old: 13009907)

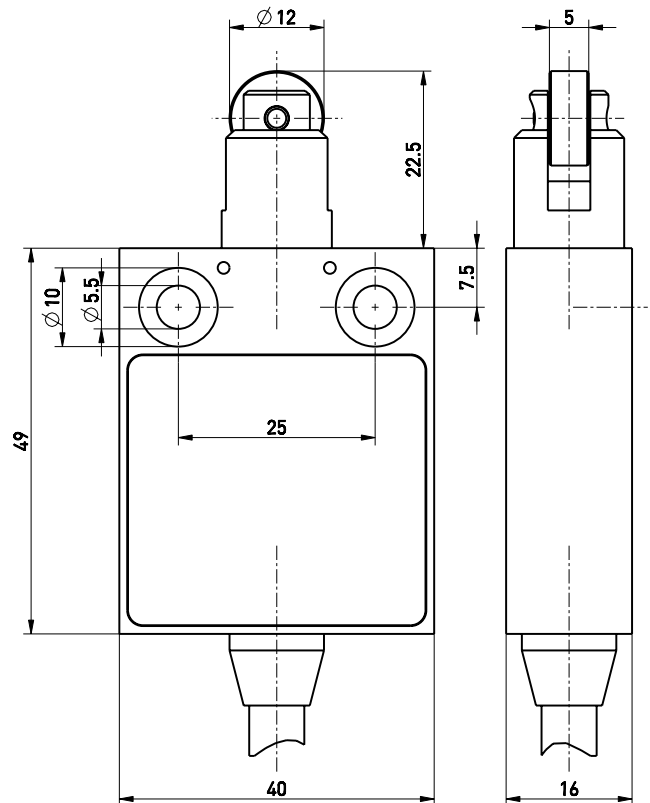
Product features

- Thermoplastic enclosure
- Double insulated \square
- Suitable for in-line mounting
- With pre-wired cable
- Actuator: Roller plunger R
- Actuating speed max. 0.5 m/s with a vertical actuating angle of 30°
- Metal roller

Notes

- Actuator can be repositioned by 90° on request

Dimensions



Technical data

Applied standards

EN ISO 13849-1, EN 60947-5-1, EN ISO 14119

Enclosure

thermoplastic, glass-fibre reinforced, shockproof, self-extinguishing UL 94 V-0

Switch type

type 1

Coding level

no coding

Tightening torque

enclosure mounting screws: max. 5 Nm

Degree of protection

IP67 (IEC/EN 60529)

B_{10d} (10 % load)

2 million

T_M

max. 20 years

Contact material

silver

Switching system

slow action, positive break NC contacts \ominus

Switching elements

1 NC/1 NO contact, type Zb

Connection

pre-wired cable H05VV-F

Cable cross-section

4 x 0.75 mm²

Cable length

5 m

Rated impulse withstand voltage U_{imp}

4 kV

Rated insulation voltage U_i

250 V

Conventional thermal current I_{the}

6 A

Rated operating current/voltage I_e/U_e

6 A/250 VAC; 0.25 A/230 VDC; 4 A/24 VDC

Errors and omissions excepted.



Position switch with safety function

ES 13 R 1Ö/1S - 5m

Material no.: 1044997 (material no. old: 13009907)

Technical data (contd.)

Utilisation category

AC-15; DC-13

Short-circuit protection

6 A gG/gN fuse

Ambient temperature

-20 °C ... +75 °C

Mechanical life

> 1 million operations

Operation cycles

max. 1800/h

Repeat accuracy of switching points

± 0.1 mm

Contact opening

max. 2 x 4.5 mm

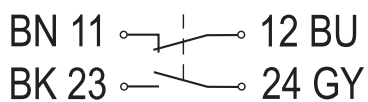
Approvals



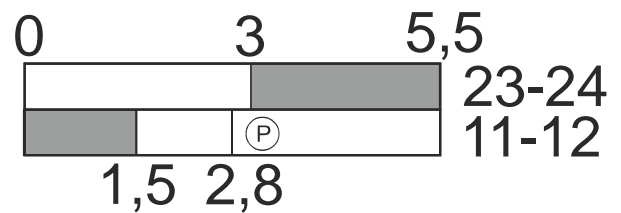
Weight

420 g

Contact diagram



Switching diagram



Ⓟ Positive break travel/angle