



## Position switch

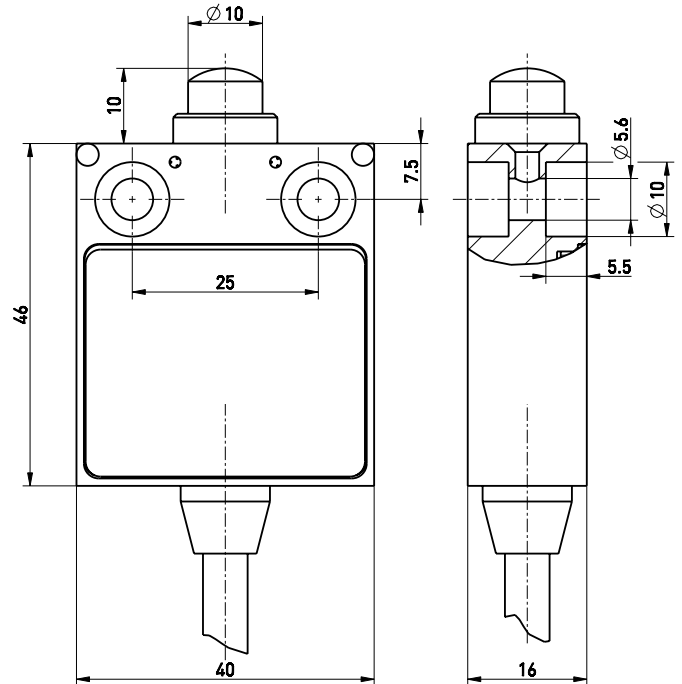
E 12 - 2m

Material no.: 1044194 (material no. old: 12701905)

### Product features

- Metal enclosure
- Snap action, change-over contact with single break
- Suitable for in-line mounting
- With pre-wired cable
- Actuator: Plunger
- Actuating speed max. 0.5 m/s with a vertical actuating angle of 0°

### Dimensions



### Technical data

#### Applied standards

EN 60947-5-1

#### Enclosure

aluminium die-cast, powder-coated

#### Degree of protection

IP67 (IEC/EN 60529)

#### Contact material

silver

#### Switching elements

1 change-over contact with single break, type C

#### Switching system

snap action

#### Connection

pre-wired cable H05VV-F

#### Cable cross-section

4 x 0.75 mm<sup>2</sup>

#### Cable length

2 m

#### Rated impulse withstand voltage $U_{imp}$

4 kV

#### Rated insulation voltage $U_i$

250 V

#### Conventional thermal current $I_{the}$

5 A

#### Utilisation category

AC-15; DC-13

#### Rated operating current/voltage $I_e/U_e$

5 A/250 VAC; 0.16 A/230 VDC

#### Short-circuit protection

5 A gG/gN fuse

#### Mechanical life

> 1 million operations

#### Operation cycles

max. 1800/h

#### Ambient temperature

-20 °C ... +75 °C

#### Approvals



#### Weight

226 g

Errors and omissions excepted.



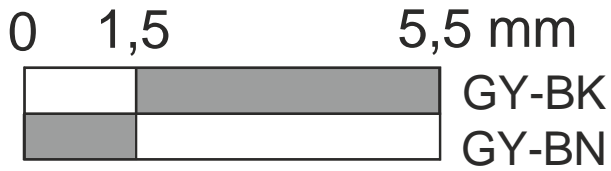
## Position switch

E 12 - 2m

Material no.: 1044194 (material no. old: 12701905)

### Switching diagram

---



### Contact diagram

---

