



## Position switch

E 12 WHL - 5m

Material no.: 1044558 (material no. old: 12716906)

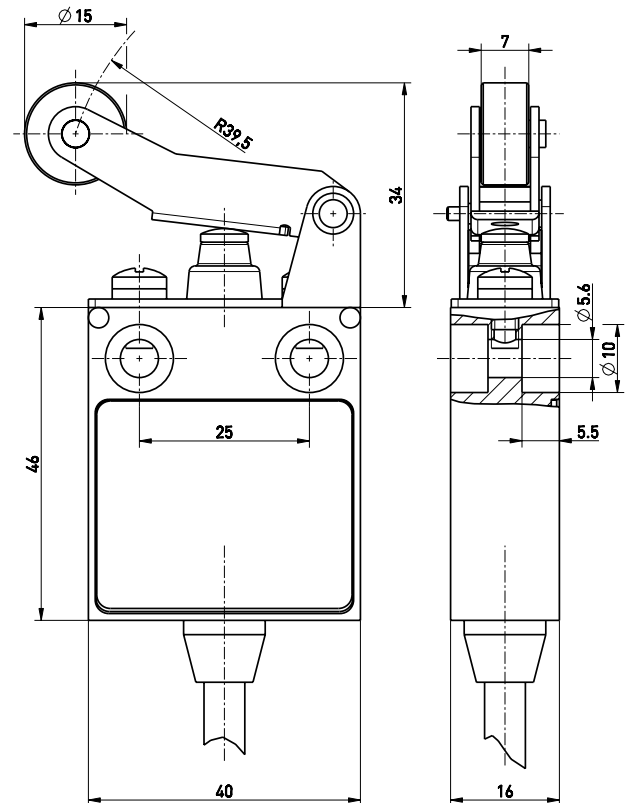
### Product features

- Metal enclosure
- Snap action, change-over contact with single break
- Suitable for in-line mounting
- With pre-wired cable
- Actuator: Long roller lever with collar WHL
- Actuating speed max. 0.5 m/s with a vertical actuating angle of  $\alpha = 40^\circ$  and  $\beta = 30^\circ$
- Metal roller
- Watertight collar for protection against penetration of dirt

### Notes

- Actuation from the left should be avoided since this reduces the mechanical life of the position switch.
- Actuator can be repositioned by  $180^\circ$  on request
- With plastic roller available on request

### Dimensions



### Technical data

#### Applied standards

EN 60947-5-1

#### Enclosure

aluminium die-cast, powder-coated

#### Degree of protection

IP67 (IEC/EN 60529)

#### Contact material

silver

#### Switching elements

1 change-over contact with single break, type C

#### Switching system

snap action

#### Connection

pre-wired cable H05VV-F

#### Cable cross-section

4 x 0.75 mm<sup>2</sup>

#### Cable length

5 m

#### Rated impulse withstand voltage $U_{imp}$

4 kV

#### Rated insulation voltage $U_i$

250 V

#### Conventional thermal current $I_{the}$

5 A

#### Utilisation category

AC-15; DC-13

#### Rated operating current/voltage $I_e/U_e$

5 A/250 VAC; 0.16 A/230 VDC

#### Short-circuit protection

5 A gG/gN fuse

#### Mechanical life

> 1 million operations

#### Operation cycles

max. 1800/h

#### Ambient temperature

-20 °C ... +75 °C

Errors and omissions excepted.



## Position switch

E 12 WHL - 5m

Material no.: 1044558 (material no. old: 12716906)

### Technical data (contd.)

---

Approvals

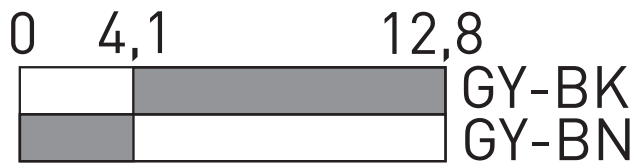


Weight

500 g

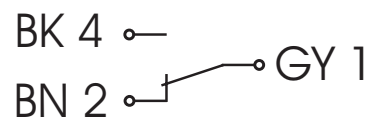
### Switching diagram

---



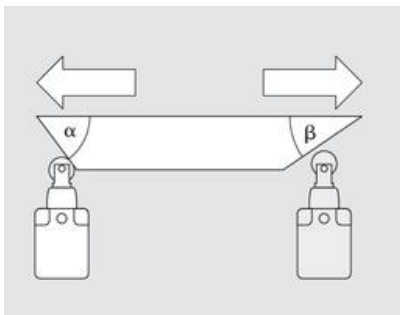
### Contact diagram

---



### Actuating angles

---



$\alpha$  - Actuating angle from right of switch axis

$\beta$  - Actuating angle from left of switch axis as shown in picture

Errors and omissions excepted.