



## Foot switch with thermoplastic enclosure

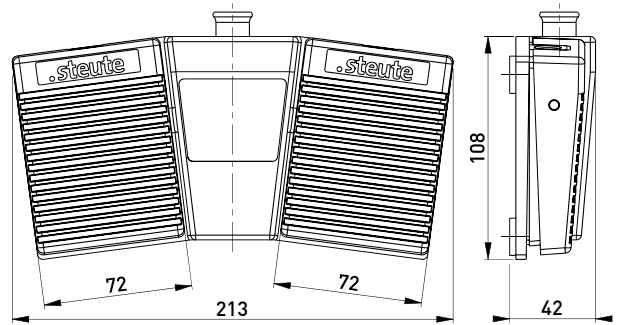
KF 2 1PW/1PW

Material no.: 1049096 (material no. old: 87173003)

### Product features

- 2-pedal type
- Thermoplastic enclosure
- Small flat design
- Wiring compartment
- Micro switches (1-pole change-over contact per pedal) for current load up to 5 A

### Dimensions



### Technical data

#### Applied standards

EN 60947-5-1

#### Enclosure

thermoplastic, glass-fibre reinforced, shockproof, self-extinguishing UL 94 V-0

#### Pedal

thermoplastic, glass-fibre reinforced, shockproof, self-extinguishing UL 94 V-0

#### Degree of protection

IP65 (IEC/EN 60529)

#### Connection

wiring compartment, cable gland M12 x 1.5

#### Switching system

micro switch

#### Switching elements

1-pole change-over contact per pedal

#### Switching voltage

12 ... 250 VAC/DC

#### Switch-on current

max. 5 A

#### Switch-on power

max. 1250 VA

#### Short-circuit protection

5 A gG/gN fuse

#### Ambient temperature

-10 °C ... +60 °C

#### Mechanical life

> 1 million operations

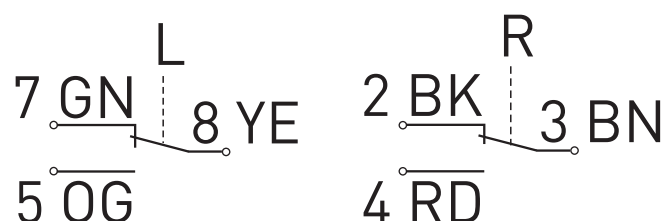
#### Approvals



#### Weight

428 g

### Contact diagram



Errors and omissions excepted.