



## Magnetic sensor

RC 20 1S-1m

Material no.: 1045782 (material no. old: 22020101)

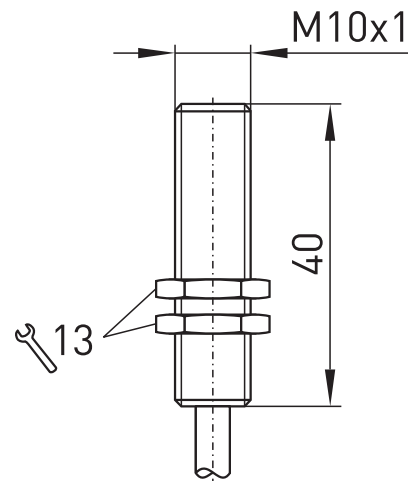
### Product features

- Metal enclosure
- Long life
- 1 Reed contact
- Actuation from front and from side
- Switching distance up to 41 mm depending on the actuating magnet
- With pre-wired cable

#### Notes

- 2 mounting nuts are included in delivery
- The actuator is not included in the delivery of the switches

### Dimensions



### Technical data

#### Applied standards

EN IEC 60947-5-2

#### Enclosure

brass, nickered

#### Degree of protection

IP67 (IEC/EN 60529)

#### Switching system

reed contacts

#### Switching elements

1 NO contact

#### Connection

Pre-wired cable PVC LiYY

#### Cable cross-section

2 x 0.34 mm<sup>2</sup>

#### Cable length

1 m

#### Switching voltage

max. 250 VAC/DC

#### Switching current

max. 0.5 A

#### Switching capacity

max. 50 W/VA

#### Switching frequency

max. 200 Hz

#### Ambient temperature

-5 °C ... +70 °C

#### Mechanical life

10<sup>9</sup> operations

#### Repeatability

± 0.02 mm

#### Vibration resistance

20 g

#### Weight

42 g

### Contact diagram



Errors and omissions excepted.