



## Ex position switch

Ex 12 WHL - 5m

Material no.: 1044559 (material no. old: 12716907)

### Product features

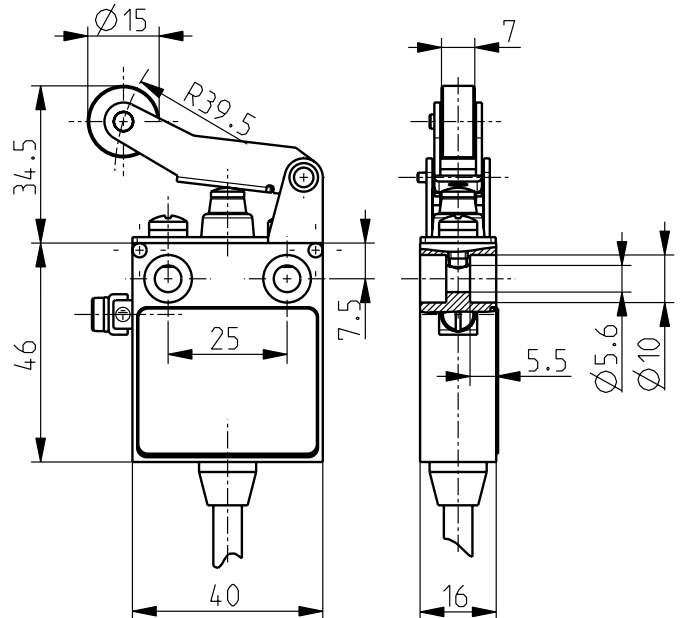


- Ex zone 1 and 21
- Metal enclosure, hard-coated
- Snap action, change-over contact with single break
- Suitable for in-line mounting
- With pre-wired cable
- Actuator: Long roller lever with collar WHL
- Actuating speed max. 0.5 m/s with a vertical actuating angle of  $\alpha = 40^\circ$  and  $\beta = 30^\circ$
- Metal roller
- Watertight collar for protection against penetration of dirt
- Attention: Please state required international approvals with your order!

### Notes

- Actuation from the left should be avoided since this reduces the mechanical life of the position switch.
- Actuator can be repositioned by 180° on request
- With plastic roller available on request

### Dimensions



### Technical data

#### Applied standards

EN IEC 60079-0, EN 60079-1, EN 60079-31, EN 60947-5-1

#### Enclosure

aluminium die-cast, hard-coated

#### Degree of protection

IP65 (IEC/EN 60529)

#### Contact material

silver

#### Switching system

snap action

#### Switching elements

1 change-over contact with single break, type C

#### Connection

pre-wired cable H05VV-F

#### Cable cross-section

4 x 0.75 mm<sup>2</sup> (incl. conductor ferrules)

#### Cable length

5 m

#### Rated impulse withstand voltage $U_{imp}$

4 kV

#### Rated insulation voltage $U_i$

250 V

#### Conventional thermal current $I_{the}$

5 A

#### Utilisation category

AC-15; DC-13

#### Rated operating current/voltage $I_e/U_e$

5 A/250 VAC; 0.16 A/230 VDC

#### Short-circuit protection

5 A gG/gN fuse

#### Ambient temperature

-20 °C ... +60 °C

#### Mechanical life

> 1 million operations

#### Operation cycles

max. 1800/h

#### Repeat accuracy of switching points

± 0.1 mm

#### Impact energy

max. 7 J

#### Ex marking

⊕ II 2G Ex db IIC T6 Gb

⊕ II 2D Ex tb IIIC T80 °C Db

IECEx Ex db IIC T6 Gb

Ex tb IIIC T80 °C Db

Errors and omissions excepted.



## Ex position switch

Ex 12 WHL - 5m

Material no.: 1044559 (material no. old: 12716907)

### Technical data (contd.)

---

#### Approvals

PTB 03 ATEX 1067 X

IECEX PTB 11.0089X

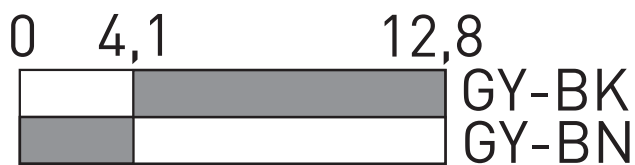


#### Weight

495 g

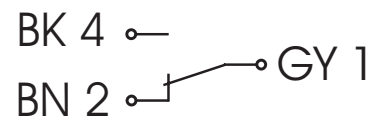
### Switching diagram

---



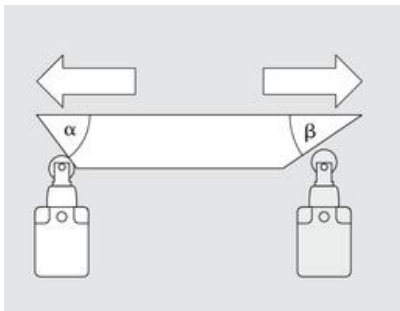
### Contact diagram

---



### Actuating angles

---



$\alpha$  - Actuating angle from right of switch axis

$\beta$  - Actuating angle from left of switch axis as shown in picture

Errors and omissions excepted.