



## Accessories for Ex AZ 16

### Straight actuator AZ 15/16-B1-1747 with magnetic latch

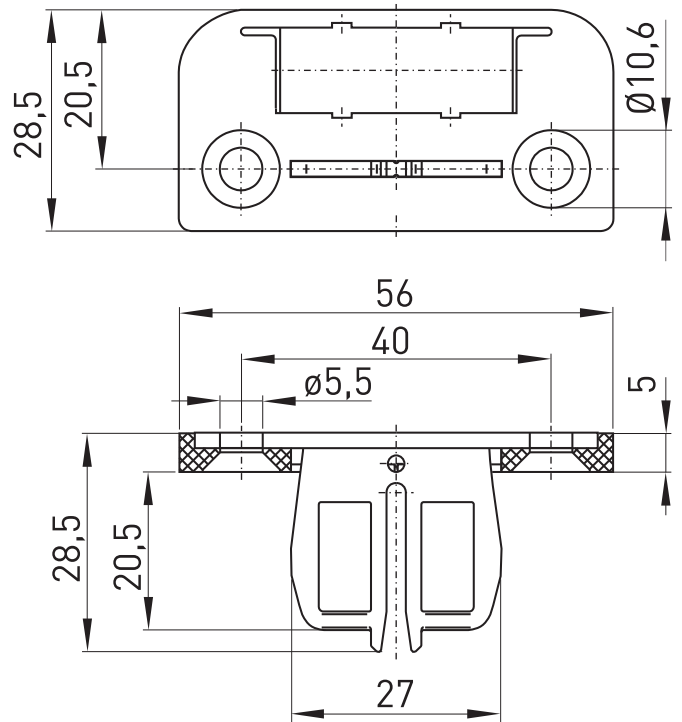
Material no.: 1172954 (material no. old: 01.08.0196)

#### Product features

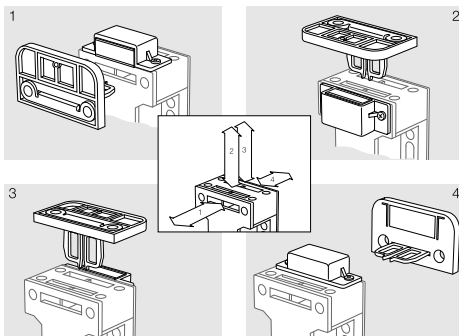


- Actuating radius on hinged guards a = 150 mm and b = 150 mm
- Axial misalignment x = 5 mm
- For play-free interlocking of light guards, locking force: 30 N
- The magnetic latch can easily be fitted in any actuating plane
- Suitable for retrofitting

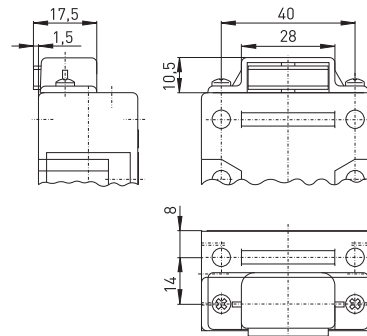
#### Dimensions



#### Actuator with magnetic latch



#### Magnetic latch



Errors and omissions excepted.



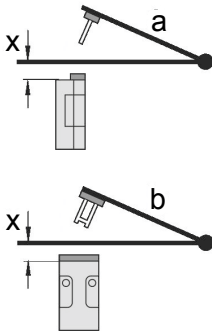
## Accessories for Ex AZ 16

Straight actuator AZ 15/16-B1-1747 with magnetic latch

Material no.: 1172954 (material no. old: 01.08.0196)

### Actuating radii

---



The axis of the hinge should be  $x$  mm above the top edge of the safety switch and in the same plane.

$a$  = Actuating radius to the plane of the actuator

$b$  = Actuating radius in line with the plane of the actuator

$x$  = Axial misalignment

Attention!  $x$  must be referred to the surface of the enclosure and not to the inserted actuator!