



Accessories for Ex AZ 16

Straight actuator AZ 15/16-B1-2177 with centering guide

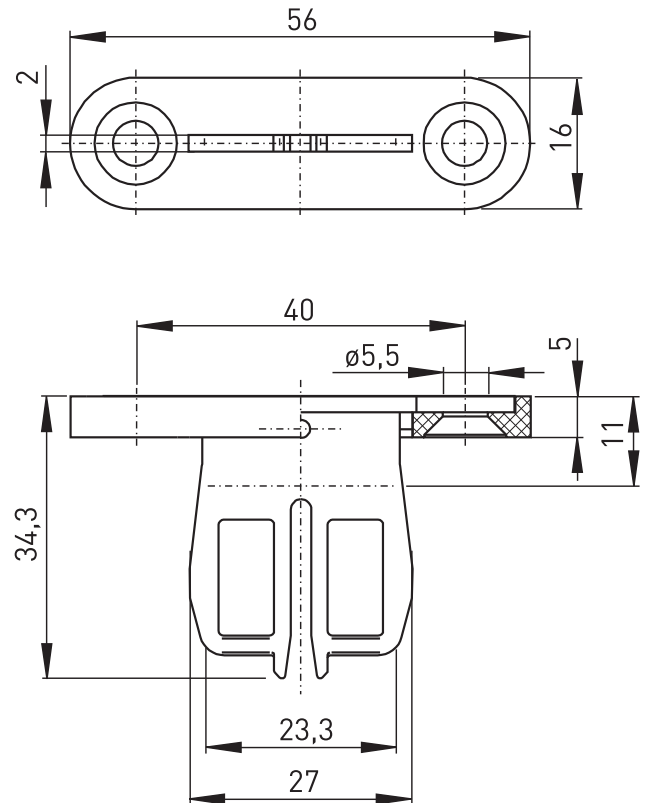
Material no.: 1172957 (material no. old: 01.08.0199)

Product features

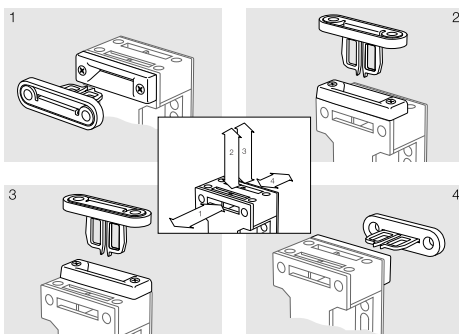


- Actuating radius on hinged guards a = 150 mm and b = 150 mm
- Axial misalignment x = 11 mm
- For interlocking of light, unguided guards

Dimensions



Actuator with centering guide



Errors and omissions excepted.

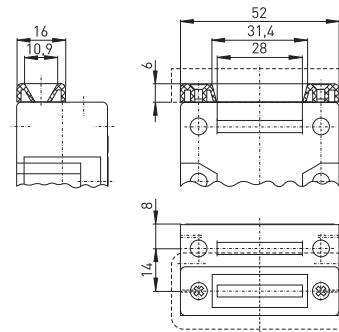


Accessories for Ex AZ 16

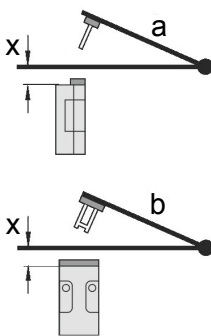
Straight actuator AZ 15/16-B1-2177 with centering guide

Material no.: 1172957 (material no. old: 01.08.0199)

Centering guide



Actuating radii



The axis of the hinge should be x mm above the top edge of the safety switch and in the same plane.

a = Actuating radius to the plane of the actuator

b = Actuating radius in line with the plane of the actuator

x = Axial misalignment

Attention! x must be referred to the surface of the enclosure and not to the inserted actuator!