



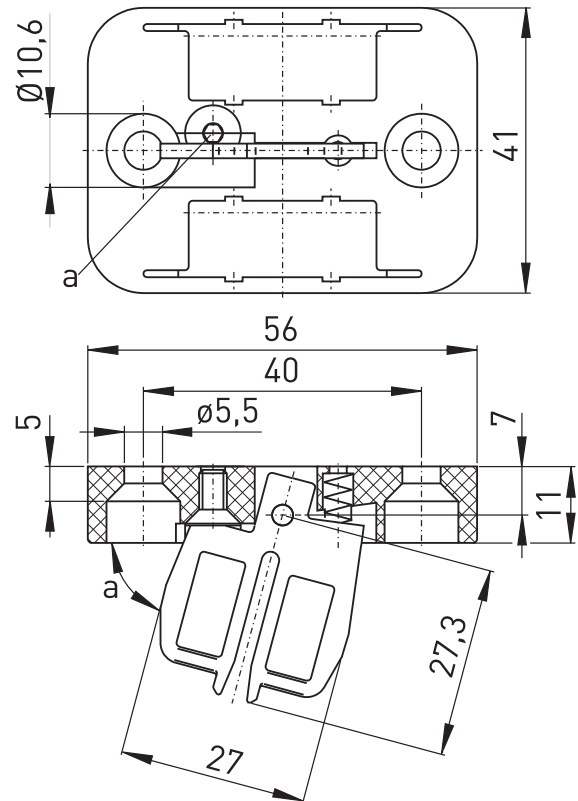
Accessories for Ex AZ 16 Flexible actuator AZ 15/16-B2-1747 with magnetic latch Material no.: 1477542

Product features

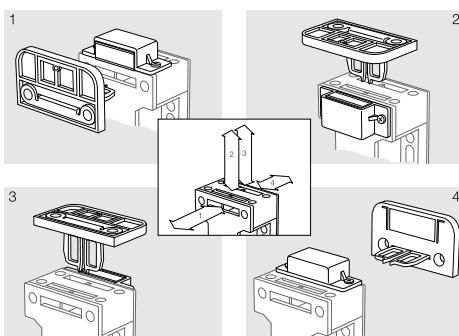


- Actuating radius on hinged guards $b = 45$ mm
- Axial misalignment $x = 11$ mm
- For play-free interlocking of light guards, locking force: 30 N
- The magnetic latch can easily be fitted in any actuating plane
- Suitable for retrofitting

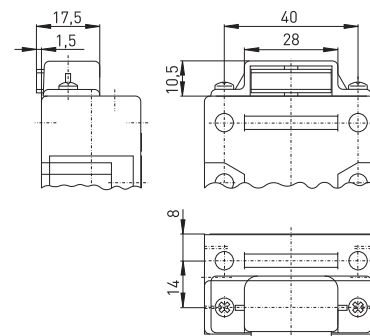
Dimensions



Actuator with magnetic latch



Magnetic latch

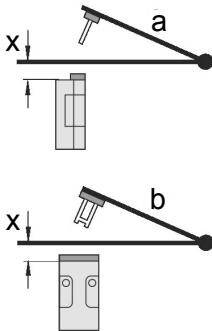


Errors and omissions excepted.



Accessories for Ex AZ 16 Flexible actuator AZ 15/16-B2-1747 with magnetic latch Material no.: 1477542

Actuating radii



The axis of the hinge should be x mm above the top edge of the safety switch and in the same plane.

a = Actuating radius to the plane of the actuator

b = Actuating radius in line with the plane of the actuator

x = Axial misalignment

Attention! x must be referred to the surface of the enclosure and not to the inserted actuator!