



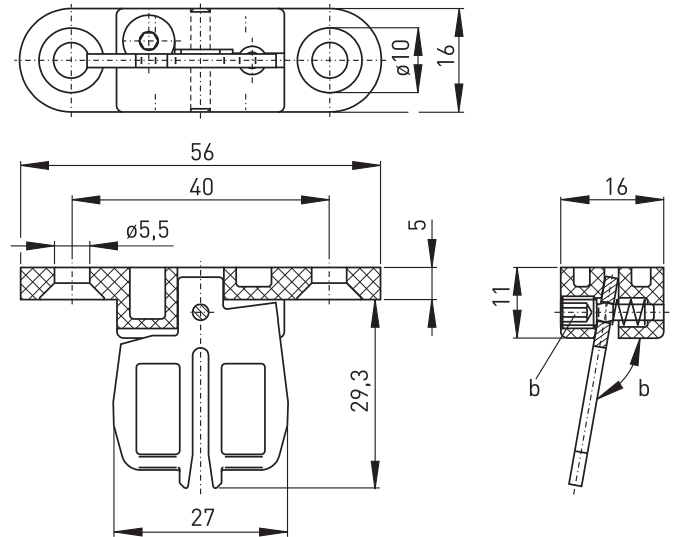
## Accessories for Ex AZ 16 Flexible actuator AZ 15/16-B3 Material no.: 1172617 (material no. old: 01.08.0189)

### Product features



- Actuating radius on hinged guards  $a = 32$  mm
- Axial misalignment  $x = 11$  mm

### Dimensions



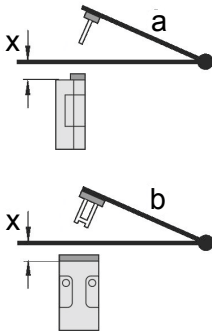
Errors and omissions excepted.



## Accessories for Ex AZ 16 Flexible actuator AZ 15/16-B3 Material no.: 1172617 (material no. old: 01.08.0189)

### Actuating radii

---



The axis of the hinge should be  $x$  mm above the top edge of the safety switch and in the same plane.

$a$  = Actuating radius to the plane of the actuator

$b$  = Actuating radius in line with the plane of the actuator

$x$  = Axial misalignment

Attention!  $x$  must be referred to the surface of the enclosure and not to the inserted actuator!