



Accessories for Ex AZM 415 / Ex AZP 415

Flexible actuator AZM 415-B2

Material no.: 1171890 (material no. old: 01.08.0176)

Product features

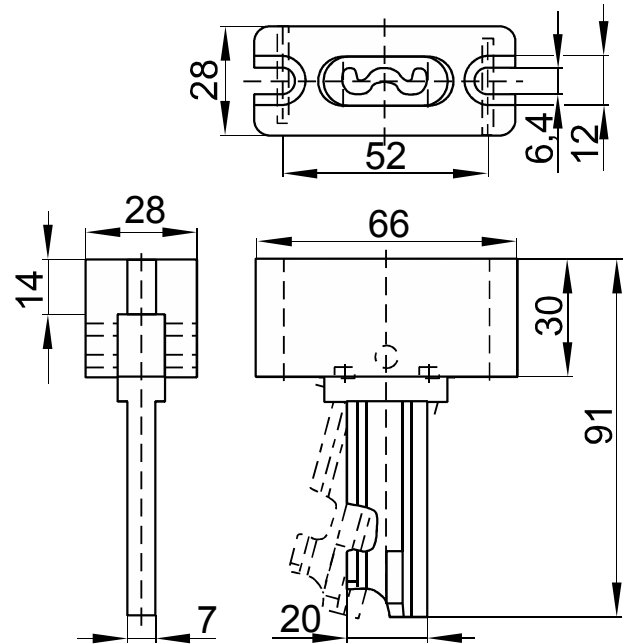


- Especially suitable for sliding and hinged guards
- For very small actuating radii via the wide edge of the actuator
- Actuating radius adjustable using a hexagonal key wrench

Notes

- Removal of the actuator can be prevented by fitting dowel pins in the holes provided.
- The distance between the flange of the actuator and the switch enclosure must be less than 3 mm when the actuator is inserted.

Dimensions



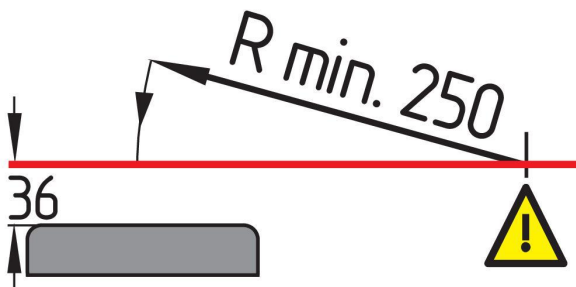
Technical data

Shearing force
25,000 N

Weight
160 g

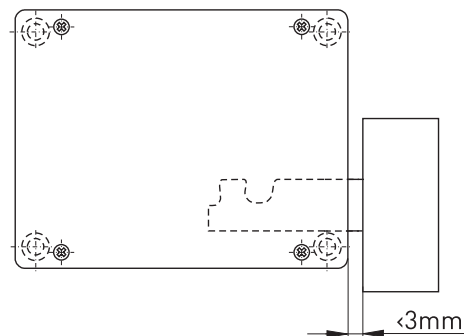
Actuating radius
min. 250 mm

Actuating radius



Attention! 36 mm must be referred to the surface of the enclosure and not to the inserted actuator!

Distance between actuator/enclosure

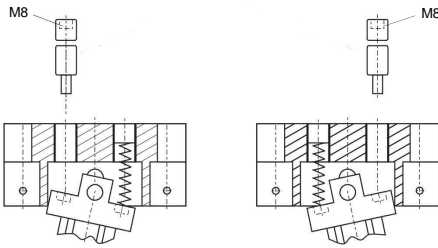


Errors and omissions excepted.



Accessories for Ex AZM 415 / Ex AZP 415
Flexible actuator AZM 415-B2
Material no.: 1171890 (material no. old: 01.08.0176)

Adjustment



Errors and omissions excepted.