

Overview

- Extended functional reserve capacities for maximum reliability
- Easy to adjust via line teach
- Intuitive Xpress Teach / 1-Step Teach method
- Robust housing with stainless steel spacer sleeves



Picture similar



Technical data

General data

| | |
|-------------------------------------|------------------------------------|
| Type | Retro-reflective sensor |
| Light source | Pulsed red LED |
| Actual range Sb | 3 m |
| Nominal range Sn | 4 m |
| Smallest object recognizable typ. | 5 mm (FTAR 013A000) |
| Polarization filter | Yes |
| Alignment / soiled lens indicator | Flashing output indicator |
| Output indicator | LED yellow |
| Power on indication | LED green |
| Sensitivity adjustment | Teach-in: remote / 1-Step Teach-in |
| Wave length | 644 nm |
| Suppression of reciprocal influence | Yes |
| Alignment optical axis | < 1,5° |

Electrical data

| | |
|------------------------------------|------------------|
| Response time / release time | < 0.5 ms |
| Voltage supply range +Vs | 10 ... 30 VDC |
| Current consumption max. (no load) | 20 mA (@ 30 VDC) |

Electrical data

| | |
|-----------------------------|------------------|
| Current consumption typ. | 16 mA (@ 24 VDC) |
| Voltage drop Vd | <2 VDC |
| Output function | Dark operate |
| Output circuit | Push-pull |
| Output current | 50 mA |
| Short circuit protection | Yes |
| Reverse polarity protection | Yes |

Mechanical data

| | |
|-----------------------|--------------------------------------|
| Width / diameter | 8 mm |
| Height / length | 25.1 mm |
| Depth | 15.8 mm |
| Design | Rectangular |
| Mechanical mounting | Sleeve smooth (stainless steel) |
| Housing material | Plastic (ASA, PMMA) |
| Front (optics) | PMMA |
| Connection types | Flylead connector M8 4 pin, L=200 mm |
| Cable characteristics | PVC / PVC 4 x 0.08 mm ² |

Ambient conditions

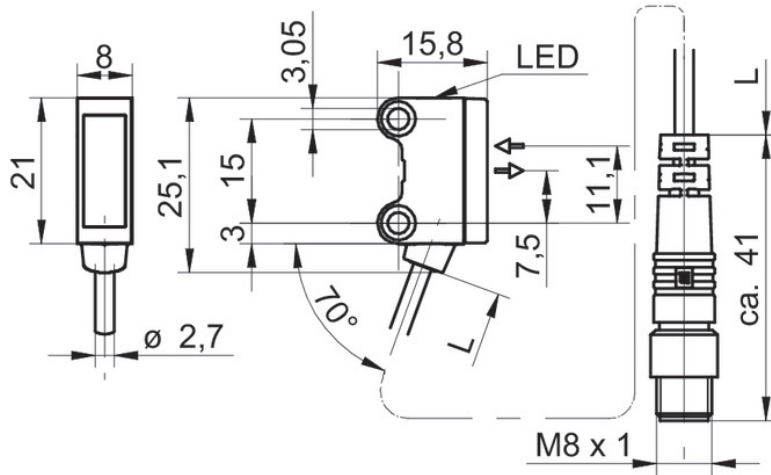
| | |
|-----------------------|----------------|
| Operating temperature | -25 ... +50 °C |
| Protection class | IP 67 |

O200.RR-GD1E.72NV/T003

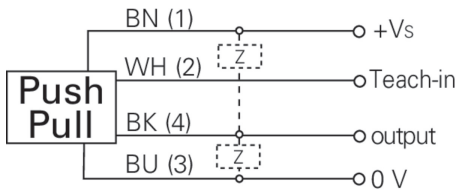
Retro-reflective sensors - miniature

Article number: 11210290

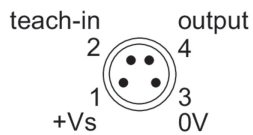
Technical drawings



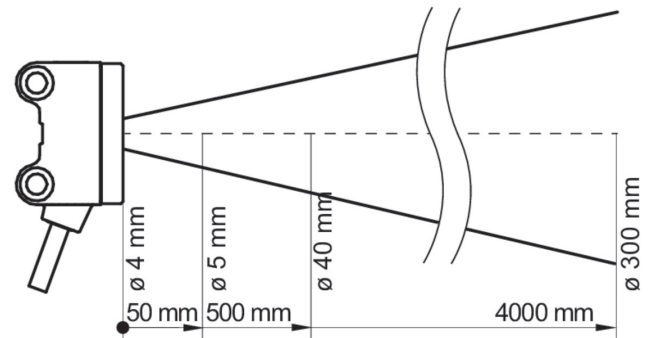
Connection diagram



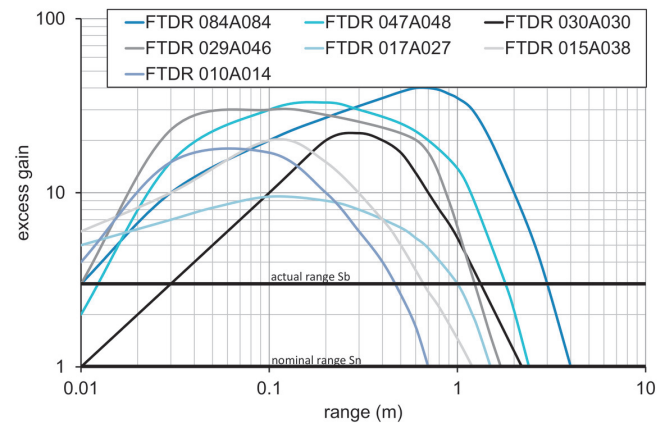
Pin assignment



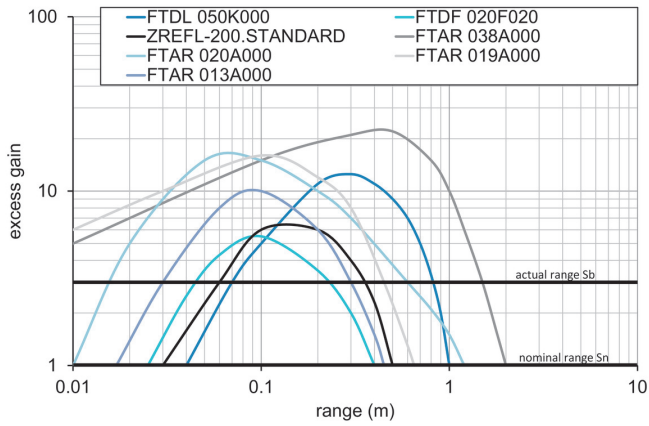
Beam characteristic (typically)



Excess gain curve



Excess gain curve



Lateral operating range

