

# Technical Data Sheet

## Stenton Switch Disconnectors

Page 1 of 3

### General Description

The Stenton range of switch disconnectors has been designed to meet today's vigorous market requirements for a product that is simple to install and connect and meets internationally accepted standards for performance and safety.

The range is divided into two styles. The 25A-63A items are available in moulded enclosures, whilst the 125A - 630A variants are supplied in sheet steel housings.

To provide the user with the maximum of choice when programming his installation, the 25A-63A interiors are supplied separately from the moulded housings. Above this, where the requirements are generally less varied, the remaining items are supplied fully assembled in sheet steel enclosures.

### Part Numbers

#### 25A - 63A

Catalogue Ref	Description
DE25	25A moulded enclosure complete with locking handle, earth & neutral link
DI252	25A 2 pole disconnector interior
DI253	25A 3 pole disconnector interior
DI253EB	25A 3 pole + 2EB aux. disconnector interior
DI254	25A 4 pole disconnector interior
DI256	25A 6 pole disconnector interior
DI256EB	25A 6 pole + 2EB disconnector interior
DE40	40A moulded enclosure complete with locking handle, earth & neutral link
DI402	40A 2 pole disconnector interior
DI403	40A 3 pole disconnector interior
DI403EB	40A 3 pole + 2EB aux. disconnector interior
DI404	40A 4 pole disconnector interior
DI406	40A 6 pole disconnector interior
DI406EB	40A 6 pole + 2EB disconnector interior
DE63	63A moulded enclosure complete with locking handle, earth & neutral link
DI632	63A 2 pole disconnector interior
DI633	63A 3 pole disconnector interior
DI633EB	63A 3 pole + 2EB aux. disconnector interior
DI634	63A 4 pole disconnector interior
DI636	63A 6 pole disconnector interior
DI636EB	63A 6 pole + 2EB disconnector interior

#### 125A - 630A

Catalogue Ref	Description
D1253	125A 3 pole disconnector complete in sheet steel enclosure
D1253EB	125A 3 pole + 2EB aux. disconnector complete in sheet steel enclosure
D1254	125A 4 pole disconnector complete in sheet steel enclosure
D1256	125A 6 pole disconnector complete in sheet steel enclosure
D1256EB	125A 6 pole + 2EB aux. disconnector complete in sheet steel enclosure
D2503	250A 3 pole disconnector complete in sheet steel enclosure
D2503EB	250A 3 pole + 2EB aux. disconnector complete in sheet steel enclosure
D2504	250A 4 pole disconnector complete in sheet steel enclosure
D4003	400A 3 pole disconnector complete in sheet steel enclosure
D4003EB	400A 3 pole + 2EB aux. disconnector complete in sheet steel enclosure
D4004	400A 4 pole disconnector complete in sheet steel enclosure
D6303	630A 3 pole disconnector complete in sheet steel enclosure
D6303EB	630A 3 pole + 2EB aux. disconnector complete in sheet steel enclosure
D6304	630A 4 pole disconnector complete in sheet steel enclosure
Aux1	Add-on C/O aux. block for the 125-630A disconnectors only.

### Specifications

#### 25A - 63A Enclosures

<b>Base</b>	Material	ABS Grade Polylac PA766
	Colour	Black 2
<b>Handle</b>	Material	ABS Grade Polylac PA766
	Colour	Yellow

<b>Lid</b>	Material	ABS Grade Polylac PA766
	Colour	Red

# Technical Data Sheet

## Stenton Switch Disconnectors

Page 2 of 3

### Specifications

#### 125A - 630A Enclosures

<b>Base Material</b>	1.2mm Mild Steel CR4	<b>Lid Material</b>	1.2mm Mild Steel CR4
<b>Pre Treatment</b>	Zinc Phosphate	<b>Pre Treatment</b>	Zinc Phosphate
<b>Paint Finish</b>	Textured Powder Coat	<b>Paint Finish</b>	Textured Powder Coat
<b>Colour</b>	Traffic Black (RAL 9017)	<b>Colour</b>	Traffic Red (RAL 3020)

### Ingress Protection

Degree of protection	25A/63A	IP65 & IP66.	Specification	BS EN 60529 : 1992
	125A/630A	IP65.		

### Conformity

All items meet the requirements of the EC "Low Voltage Directive" and are designed and tested to BS EN 60947 -3.

Rated Frequency : 50 to 60Hz

### Electrical Ratings

Frame Size	Thermal Rating (I <sub>th</sub> )	Rated Insulation Voltage (Ui)	Maximum Protection Fuse	Nominal Operating Voltage (Ue)	AC21A	AC22A	AC23A	Maximum Connection Cable (mm <sup>2</sup> )	
25A	25A	500V	gL - aM	32A	500V	230V - 7.5kW 400V - 14.0kW 500V - 18.0kW	230V - 5.5kW 400V -12.0kW 500V -14.0kW	230V - 4.5kW 400V -10.0kW 500V -12.0kW	6.0
40A	40A	660V		63A	660V	230V - 14.0kW 400V - 24.0kW 500V - 32.0kW	230V -10.0kW 400V -16.0kW 500V -18.5kW	230V -7.5kW 400V -15.0kW 500V -18.5kW	16.0
63A	63A	660V		80A	660V	230V - 20.0kW 400V - 36.0kW 500V - 45.0kW	230V -15.0kW 400V -24.0kW 500V -32.0kW	230V -12.0kW 400V -20.0kW 500V -22.0kW	35.0
125A*	125A	800V	gL - gG	125A	690V	415V - 55.0kW 500V - 55.0kW	415V -55.0kW 500V -55.0kW	415V -55.0kW 500V -55.0kW	125.0
250A	250A	800V		250A	690V	415V - 132.0kW 500V - 132.0kW	415V - 132.0kW 500V - 132.0kW	415V - 132.0kW 500V - 132.0kW	M10 Lug Terminal
400A	400A	1000V		400A	690V	415V - 220.0kW 500V - 220.0kW	415V - 220.0kW 500V - 220.0kW	415V - 220.0kW 500V - 220.0kW	M10 Lug Terminal
630A	630A	1000V		630A	690V	415V - 315.0kW 500V - 315.0kW	415V - 315.0kW 500V - 315.0kW	415V - 315.0kW 500V - 315.0kW	M10 Lug Terminal

\* For 6 pole 125A details, please refer to our technical sales.

### Mechanical Durability

25A	100,000 ops	125A	30,000 ops
40A	100,000 ops	250A	20,000 ops
63A	50,000 ops	400A	10,000 ops
		630A	10,000 ops

### Mounting Position

No restrictions.

### Locking Facilities

Locking in 'Off' position only.

Up to 3 x Ø6.5 hasp padlocks in all handles.



25A - 63A Style



125A - 630A Style

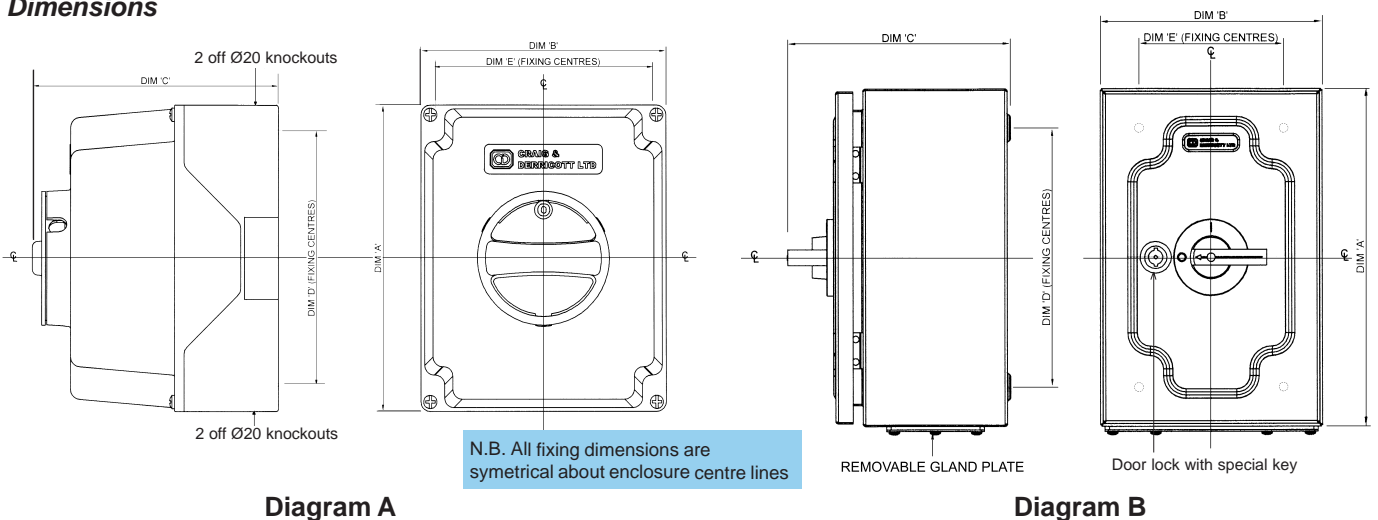
# Technical Data Sheet

## Stenton Switch Disconnectors

### Terminal Marking (25-63A)

Model	Disconnecter Poles							
	Pole 1	Pole 2	Pole 3	Pole 4	Pole 5	Pole 6	E/B Aux 1	E/B Aux 2
Two Pole	1 2	3 4	x	x	x	x	x	x
Three Pole	1 2	3 4	5 6	x	x	x	x	x
Three Pole (25A) + Aux	1 2	3 4	5 6	x	x	x	7 8	9 10
Three Pole (40/63A) + Aux	1 2	3 4	5 6	x	x	x	9 10	11 12
Four Pole	1 2	3 4	5 6	7 8	x	x	x	x
Six Pole	1 2	3 4	5 6	7 8	9 10	11 12	x	x
Six Pole + Aux	1 2	3 4	5 6	7 8	9 10	11 12	13 14	15 16

### Dimensions



### Fixings

Rating	Diag.	Height (A)	Width (B)	Depth (C)	Vert (D)	Horr. (E)	Mounting Holes (Ø)	Gland Plate Size
25A	A	130.0	105.0	110.0	104.0	92.0	4.2	---
40A	A	160.0	130.0	130.0	134.0	117.0	4.2	---
63A	A	235.0	190.0	165.0	195.0	170.0	5.2	---
125A	B	300.0	200.0	200.0	230.0	130.0	8.5	192.0 x 88.0
250A	B	400.0	300.0	275.0	330.0	230.0	8.5	192.0 x 128.0
400A	B	500.0	400.0	275.0	430.0	330.0	8.5	292.0 x 128.0
630A	B	600.0	400.0	275.0	530.0	330.0	8.5	292.0 x 128.0

If you require any further information regarding these products, please contact our technical sales department on 01543 363900 or fax your enquiry to 01543 361619.