

## Datasheet - NMEFGN

Command and signalling devices / Push buttons and pilot lights - "N" Program / NME - Illuminated signal



(Minor differences between the printed image and the original product may exist!)

- integrated multi-LED, extra bright in device head
- flat dome

### Ordering details

Product type description	NMEFGN
Article number	101163602
EAN code	4250116200597

### Approval

Approval



### Global Properties

Product name	NME - Illuminated signal
Standards	IEC/EN 60947-1, EN 60947-5-1
Compliance with the Directives (Y/N)	Yes
Suitable for safety functions (Y/N)	No
Mounting	mounting flange ELM
Mounting position	arbitrarily
Materials	
- Material of the dome	PA (12)
- Material of the front ring	ABS, Chromium-plated
Design	LED - Illuminated signal - Front plate mounting
Form	round, flat dome
Color	

- Colour of the dome	■ green
- Colour of the front ring	■ Silver
Weight	50 g
Can be illuminated (Y/N)	Yes

## Mechanical data

---

mounting flange available (Y/N)	Yes
Front plate thickness	
- min. front plate thickness	1.5 mm
- max. front plate thickness	6 mm
Tightening torque for fixing screws	0,6 Nm

## Ambient conditions

---

Ambient temperature	
- Min. environmental temperature	-25 °C
- Max. environmental temperature	+80 °C
Storage and transport temperature	
- Min. Storage and transport temperature	-
- Max. Storage and transport temperature	-
Fully insulated (Y/N)	Yes
Sealing type	membrane, lip seal, Form seals
Protection type IP	IP67, IP69K

## LED switching conditions display

---

With integrated LED (Y/N)	Yes
- for 24 VAC/DC	

## Dimensions

---

Dimensions	
- Height	
- Diameter total Ø	44.5 mm
Height of the dome	2 mm
Diameter of the front ring	44.5 mm
Diameter of the dome	26 mm
Hole, diameter	22.3mm + 0,4mm
Spacing	50 x 50 mm

## notice

---

for other input voltages, a special light element must be used

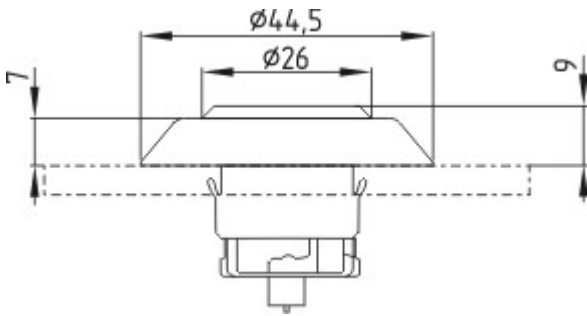
## Included in delivery

---

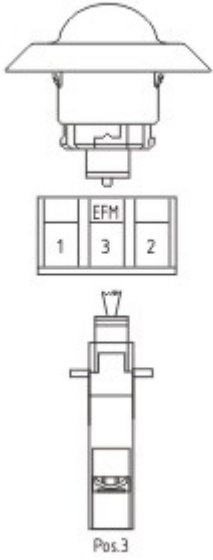
Mounting flange ELM (1014387) is included in delivery

## Images

---



Dimensional drawing (basic component)



Application

## System components

### Accessories



101014387 - ELM

### Light terminal block



101167368 - ELEK

- Print with LED symbol



101006534 - ELE230

- not suitable for operation with filament lamp or glow lamp



**101006532 - ELE48**

- not suitable for operation with filament lamp or glow lamp



**101006529 - ELE**

- Print with LED symbol

---

K.A. Schmersal GmbH, Möddinghofe 30, D-42279 Wuppertal

The data and values have been checked thoroughly. Technical modifications and errors excepted.

Generiert am 02.11.2012 - 15:40:32h Kasbase 2.2.2 DBII

Image

Image  
et=sS  
e