

Datasheet - AZM 161-B6S

Solenoid interlock / AZM 161 / Actuator



(Minor differences between the printed image and the original product may exist!)

Ordering details

Product type description	AZM 161-B6S
Article number	101170375
EAN code	4030661297637

Global Properties

Product name	Verkürzter, beweglicher Betätiger AZM 161-B6S
Weight	35 g

Mechanical data

Design of actuators	flexible
Actuating play 2,0 mm in direction of actuation	
Minimum actuating radius	95 mm

notice

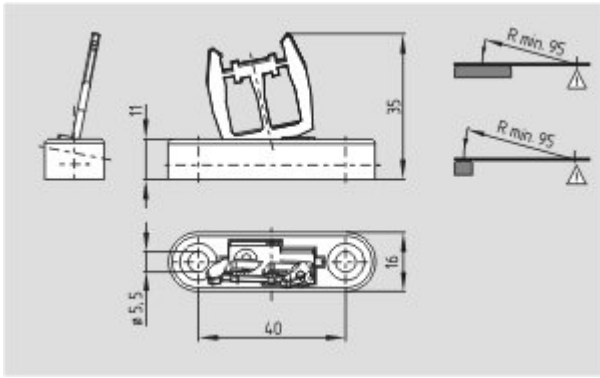
On hinged guards, minimum actuating radius at 90° to the plane of the actuator 95 mm
minimum actuating radius on hinged guards in line with the plane of the actuator 95 mm

Documents

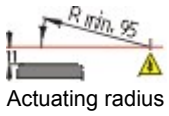
Mounting and wiring instructions (de, en, fr, it, es, jp) 203 kB, 08.07.2008

Code: m_zm1p02

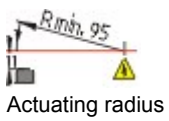
Images



Dimensional drawing (actuator)



Actuating radius



Actuating radius

K.A. Schmersal GmbH, Möddinghofe 30, D-42279 Wuppertal

The data and values have been checked thoroughly. Technical modifications and errors excepted.

Generiert am 30.10.2012 - 17:10:28h Kasbase 2.2.2 DBII

