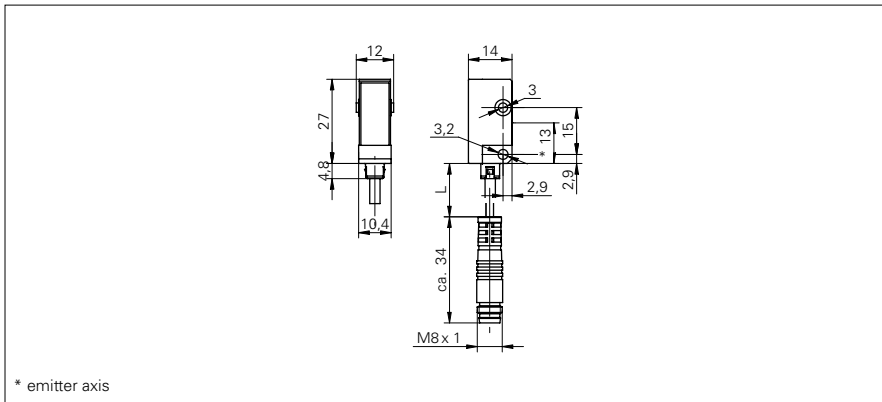


**Through beam sensors**

**FSDK 10D9001/KS35**

**dimension drawing**



**general data**

type	through beam sensor
emitter / receiver	emitter
light source	pulsed red LED
actual range $S_b$	5 m
nominal range $S_n$	6 m
wave length	660 nm

**electrical data**

voltage supply range +Vs	10 ... 30 VDC
current consumption max. (no load)	23 mA
current consumption typ.	15 mA
reverse polarity protection	yes

**mechanical data**

width / diameter	10,4 mm
height / length	27 mm
depth	14 mm
type	rectangular
housing material	plastic (ASA)
front (optics)	PMMA
connection types	flylead connector M8 3 pin

**ambient conditions**

operating temperature	-25 ... +65 °C
protection class	IP 65

**photo**



**connection diagram**

