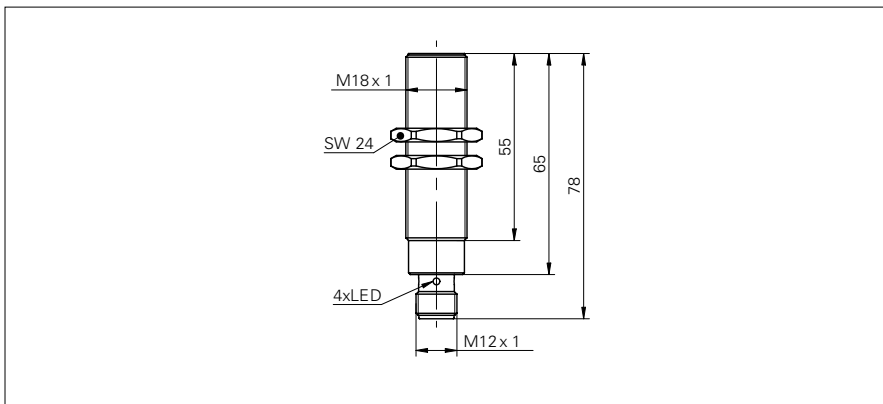


## Inductive proximity switch

## IFRM 18P1704/S14L

## dimension drawing



## general data

nominal sensing distance $S_n$	8 mm
hysteresis	3 ... 25 % of $S_r$
output indicator	4 port LED red
mounting type	quasi shielded

## electrical data

switching frequency	< 500 Hz
voltage supply range $+V_s$	10 ... 50 VDC
current consumption max.	10 mA
output circuit	PNP make function (NO)
voltage drop $V_d$	< 3 VDC
output current	< 200 mA
short circuit protection	yes
reverse polarity protection	yes

## mechanical data

material (sensing face)	PBT
housing length	78 mm
connection types	connector M12
type	cylindrical threaded
dimension	18 mm
housing material	brass nickel plated

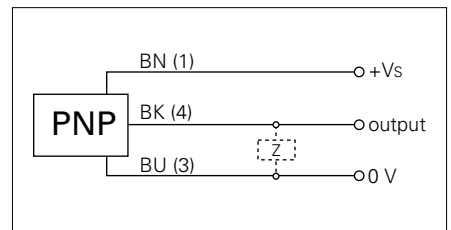
## ambient conditions

operating temperature	-25 ... +75 °C
protection class	IP 67

## photo



## connection diagram



- Not for flush mounting in mild steel