

KB5

KB5

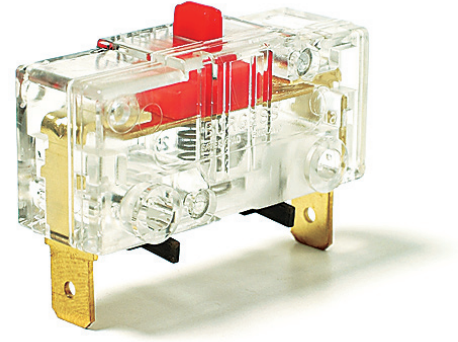
- Characteristics
- positive-action forced double break switching
 - > 3 mm contact gap at full travel
 - high electrical rating
 - faston terminals

Rating Up to 250 VAC, 20 A

Dimensions (mm) 41 × 19,5 × 15,5

- Actuator
- plunger
 - plain lever
 - roller levers

Approvals ULS, CSA



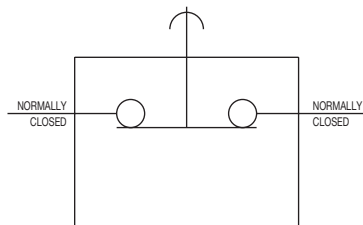
Preferred Range

| Ordering Reference | Actuating Force (N) (ozf) | | Sealing | Operating pos (mm) (in) | | Terminal | Circuit | Actuator | Contacts | Electrical rating |
|--------------------|---------------------------|------|---------|-------------------------|------|----------|---------|--------------|----------|---------------------|
| KB5FULS | 3.00 | 10.0 | IP40 | 16.8 | 0.66 | Faston | NC | Plunger | Ag | Up to 250 VAC, 20 A |
| KB5FKULS | 2.25 | 8.0 | IP40 | 19.2 | 0.76 | Faston | NC | Plain lever | Ag | Up to 250 VAC, 20 A |
| KB5FKRULS | 2.25 | 8.0 | IP40 | 31.0 | 1.22 | Faston | NC | Roller lever | Ag | Up to 250 VAC, 20 A |

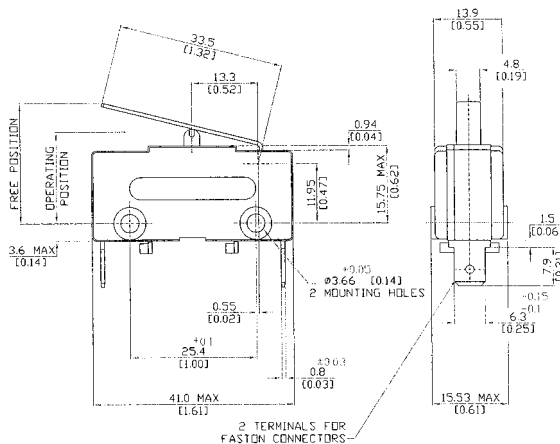
Specifications

| | |
|-------------------|---|
| Housing | Polycarbonate |
| Plunger | Nylon |
| Mechanism | Single pole, double break, positive action |
| Functions | Normally closed |
| Contacts | Fixed – silver, Moving – silver cadmium oxide |
| Terminals | 6.3 mm (0.25 in) faston, brass |
| Temperature range | -40°C to +85°C |
| Mechanical life | 10 ⁷ cycles minimum, impact-free actuation |
| Protection | IP40 (enclosure) |
| Mounting | Side mounting |
| Actuators | Plain lever - stainless steel, roller lever - stainless steel, nylon roller |
| Approvals | UL and CSA |

Circuit diagram



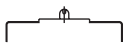
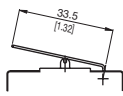
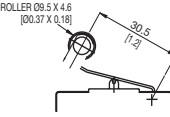
Dimensions



Recommended maximum electrical ratings

| Voltage (max) | Resistive load (A) | Inductive load | Horsepower | Approval |
|---------------|--------------------|----------------|------------|---|
| 250 VAC | 20 (0.75 pf) | - | - | ULS 1054/CSA 22.2 No. 55 - 100,000 operations |
| 250 VAC | - | - | 2 HP | ULS 1054 - Horsepower - 6,000 operations |
| 125 VAC | - | - | 1 HP | ULS 1054 - Horsepower - 6,000 operations |
| 0 - 15 VDC | 15 | - | - | General rating - 50,000 operations |
| 15 - 30 VDC | 10 | - | - | General rating - 50,000 operations |

Operating Characteristics

| Actuator | Reference | Actuating Force | Operation Position | Free Position Maximum | Contact gap at total travel | | | | | |
|---|-----------|-----------------|--------------------|-----------------------|-----------------------------|------|------|------|---------|----------|
| | | (N) | (ozf) | (mm) | Minimum (in) | (mm) | (in) | (mm) | (in) | (mm) |
| Plunger  | KB5FULS | 3,00 | 10,8 | 16,8 | 0,66 | 19,3 | 0,76 | | 2 T 3.0 | 2 T 0.12 |
| 1 At contact separation of 2 × 1,5 mm | | | | | | | | | | |
| K Lever  | KB5FKULS | 2,25 | 8,0 | 19,2 | 0,76 | 26,0 | 1,02 | | 2 T 3.0 | 2 T 0.12 |
| KR Lever  | KB5FKRULS | 2,25 | 8,0 | 31,0 | 1,22 | 36,5 | 1,40 | | 2 T 3.0 | 2 T 0.12 |

Recommended minimum contact separation 2 × 1,5 mm (2 × 0,6) indicated when groove in plunger lines up with case. Operating characteristics are specified from mounting holes.

Total travel: Plunger can be depressed flush with housing. The housing should not be used as an end stop.

Ordering Reference

| | | | | | |
|------------------|--|---|---|---|-----|
| Basic type | KB5 | Example: KB5 | F | K | ULS |
| Terminals | F | Faston 6.3 × 0.8 mm | | | |
| Actuators | No symbol, without lever K Plain lever 33.5 mm KR Roller lever 30.5 mm | | | | |
| Approvals | ULS | UL 100 k operations and CSA approved | | | |
| Special Features | /□□□□ | Burgess specialise in customer specific solutions. Additional product variants are available or can be provided. If your requirements cannot be satisfied from the options listed, please contact us. | | | |