



## MICRO SWITCHES AUXILIARY ACTUATORS

**Characteristics** ■ Auxiliary actuator for use with all cowled – plunger Micro Switches in Essen S&B Series. Each actuator has a double mounting bracket and is secured to the switch by means of two screws which pass through the mounting holes.



Approval



Ordering code

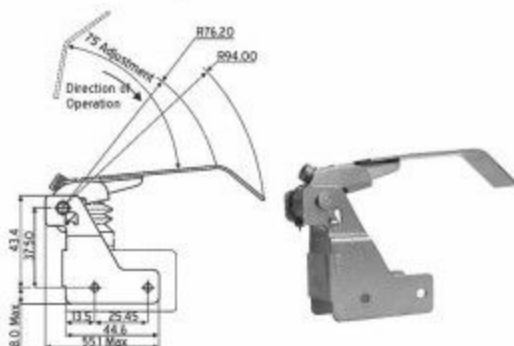
LL1

Actuator

Heavy-duty, stainless steel lever with ramp-shaped end. Lever radius 94 mm, Ratio 5:1. Adjustable through 75°.

Mounting:

Two M3.5x35mm long screws with nuts and lock washers are provided and these are long enough to secure the assembly to the application.



Ordering code

LR1

Actuator

Metal Lever with free-running plastic roller. Adjustable through 145°, M4 hexagonal head adjustment lock.

Mounting:

Two M 3.5 Screws with washers and nuts are provided. The 35 mm. screws are long enough not only to fix the actuator to the switch but also the complete assembly to the application

Lever Ratio

3.6 : 1

