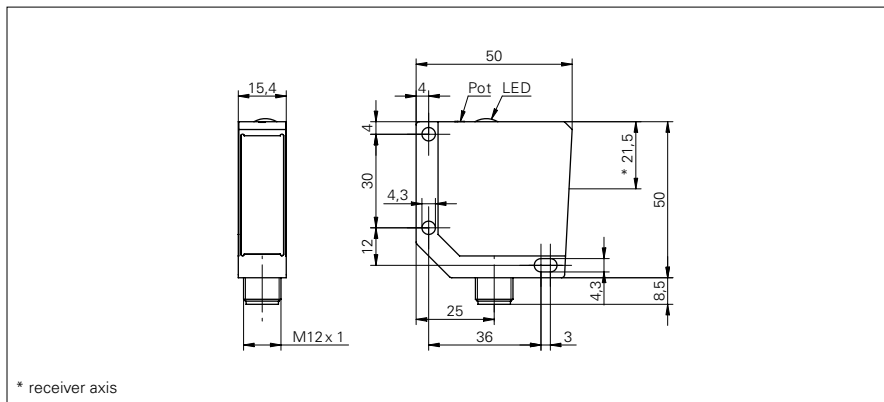


Through beam sensors

OEDM 16 (Laser)

sample drawing



general data

type	through beam laser sensor
emitter / receiver	receiver
actual range S_b	8 m
nominal range S_n	10 m
alignment / soiled lens indicator	LED green
output indicator	LED yellow
sensitivity adjustment	potentiometer, 270°

electrical data

response time / release time	< 0,1 ms
voltage supply range +Vs	10 ... 30 VDC
current consumption max.	30 mA
current consumption typ.	30 mA
voltage drop V_d	< 2 VDC
output circuit	PNP
output current	< 200 mA
short circuit protection	yes
reverse polarity protection	yes

mechanical data

width / diameter	15,4 mm
height / length	50 mm
depth	50 mm
type	rectangular
housing material	die-cast zinc
front (optics)	glass

ambient conditions

operating temperature	-25 ... +65 °C
protection class	IP 67

order reference

connection types

output function

OEDM 16P3401	cable 4 pin, 2 m	alarm output dark
OEDM 16P3401/S14	connector M12 4 pin	alarm output dark
OEDM 16P5101	cable 4 pin, 2 m	light / dark operate
OEDM 16P5101/S14	connector M12 4 pin	light / dark operate

sample picture

