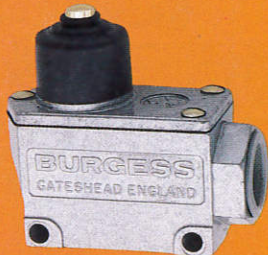


Burgess V3HM Series Compact Metal Housed Switches

M2V3HM6S
C2V3HM6S

20 mm ISO
Conduit Entry
1/2 in NPS
Conduit Entry



Actuator Plain spring plunger protected by cowl

Mechanism Two electrically isolated Single-pole, changeover micro switches. These may be used independently or as a double-pole switch

Terminals Six 6BA screws and lockwashers

Replacement Switch Module N12087, see page 169

Electrical Rating Recommended maximum 10A on 125 or 250 Vac. Full ratings on page 61

Free Position (max) 59.0 mm 2.32 in

Operating Position 57.15 mm 2.25 in
±0.8 mm

Movement Differential (max) 1.0 mm 0.04 in

Available Overtravel 5.1 mm 0.20 in

Actuating Force (max) 14.5 N 52 ozf

Release Force (min) 2.2 N 8 ozf

Mechanical Life In excess of 10 million operations

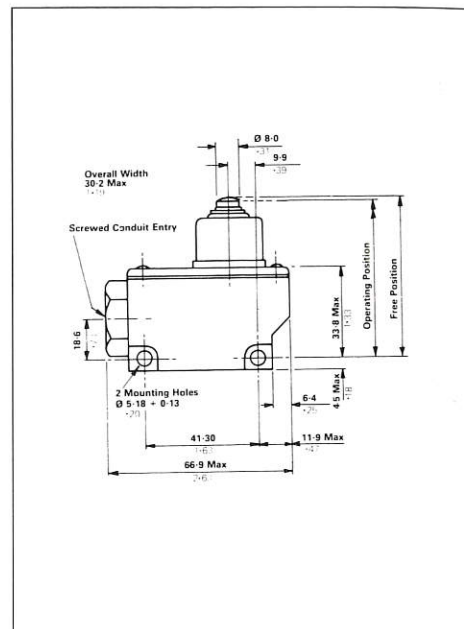
Enclosure IP65, NEMA type 13

Temperature -10° to +85°C

Weight 120 g max

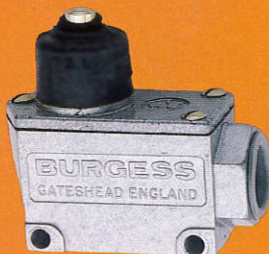
Approvals* CSA, UL

These models and similar models in the V3HM Series are described in detail on pages 60-61



MV3HM6S
CV3HM6S

20 mm ISO
Conduit Entry
1/2 in NPS
Conduit Entry



Actuator Plain spring plunger protected by cowl

Mechanism Single-pole, changeover

Terminals Three 6BA screws and lockwashers

Replacement Switch Module N12086, see page 169

Electrical Rating Recommended maximum 10A on 125 or 250 Vac. Full ratings on page 61

Free Position (max) 59.0 mm 2.32 in

Operating Position 57.15 mm 2.25 in
±0.8 mm

Movement Differential (max) 1.0 mm 0.04 in

Available Overtravel 5.1 mm 0.20 in

Actuating Force (max) 7.8 N 28 ozf

Release Force (min) 1.1 N 4 ozf

Mechanical Life In excess of 10 million operations

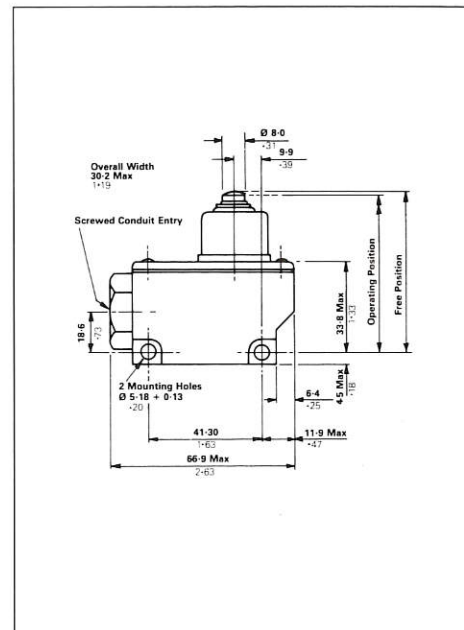
Enclosure IP65, NEMA type 13

Temperature -10° to +85°C

Weight 115 g max

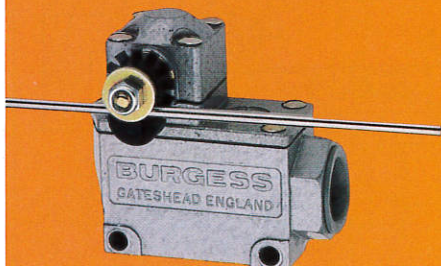
Approvals* CSA, UL

These models and similar models in the V3HM Series are described in detail on pages 60-61



M2V3HM6SRA
C2V3HM6SRA

20 mm ISO
Conduit Entry
1/2 in NPS
Conduit Entry



Actuator Rotary action rod 152 mm, 6.0 in long, vernier adjustable through 360°. May be clamped in any position along its length. Actuator head may be set in any of four positions

Mechanism Two electrically isolated single-pole, changeover micro switches for independent or double-pole use

Operation Clockwise, counter-clockwise or both ways

Terminals Six 6BA screws with lockwashers

Replacement Switch Module N12087, see page 169

Electrical Rating Recommended maximum 10A on 125 or 250 Vac. Full ratings on page 61

Pretravel (max) 24°

Available Overtravel 20°

Actuating Torque (max) 0.23 Nm 32 ozf-in

Mechanical Life In excess of 10 million operations

Enclosure IP65, NEMA type 13

Temperature -10° to +85°C

Weight 175 g max

Approvals* CSA, UL

These models and similar models in the V3HM Series are described in detail on pages 60-61

