

Position switches

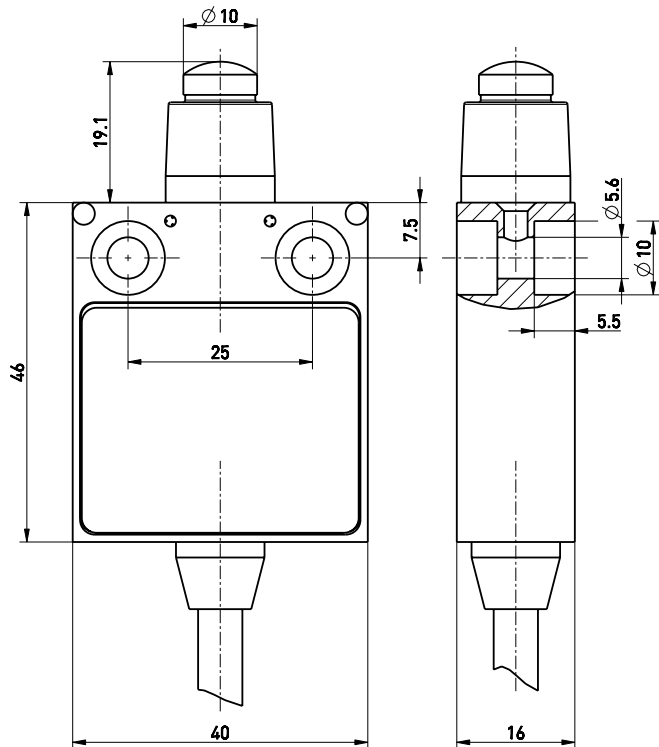
// E 12 W Order no.: 12702001

Features/Options

- Metal enclosure
- Snap action, change-over contact with single break
- Suitable for in-line mounting
- With pre-wired cable, cable length 1 meter

- Actuator: Plunger with watertight collar W
- Actuating speed max. 0.5 m/s with an actuating angle of 0°
- Collar to protect against the entry of foreign bodies

Dimensions

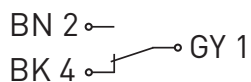


Technical data

Standards	IEC/EN 60947-5-1
Enclosure	GD-AL alloy
Degree of protection	IP 67 to IEC/EN 60529
Contact material	silver
Switching elements	change-over contact with single break
Switching system	snap action
Connection	cable H05VV-F
Cable section	4 x 0.75 mm ²
U _{imp}	4 kV
U _i	250 V
I _{the}	5 A
Utilisation category	AC-15; DC-13
I _e /U _e	5 A/250 VAC; 0,16 A/230 VDC
Max. fuse rating	5 A gL/gG D-fuse
Mechanical life	> 1 million operations
Switching frequency	1800/h
Ambient temperature	-20 °C ... +75 °C

Errata and technical changes reserved.

Contact diagram



Switching diagram

