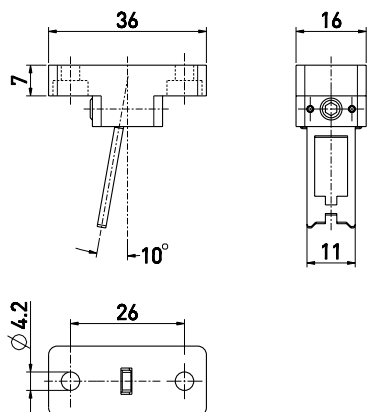


## Accessories for Safety switch with separate actuator // Flexible actuator ST 14-B3 Order no.: 04.14.8203

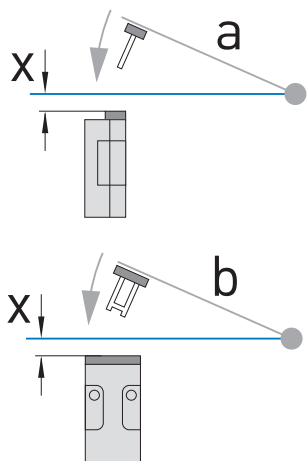
### Features/Options

- Especially fit for hinged guards
- Stainless steel 1.4301
- Actuating radius on hinged guards a = 50 mm
- Axial misalignment x = 14 mm

### Dimensions



### Actuating radius



- The axis of the hinge should be x mm above the top edge of the safety switch and in the same plane.
- a Actuating radius to the plane of the actuator
- b Actuating radius in line with the plane of the actuator
- x Axial misalignment

Errata and technical changes reserved.