



V3 83169 Sealed Standard 831690 Part number 83169002



- IP 67 protection
- Nominal ratings 0.1 A to 10 A / 250 VAC
- Minimum rating 1 mA / 4 VDC
- Reduced differential travel
- Choice of actuators

	Type	Function	Connections
83169002	Standard 831690	I (changeover)	Lead output on right
MADE TO ORDER	Standard 831690	I (changeover)	Lead output on left or cable output
MADE TO ORDER	Reduced differential travel 831694	I (changeover)	Lead output on right
MADE TO ORDER	Reduced differential travel 831694	I (changeover)	Lead output on left or cable output
MADE TO ORDER	Dual-current 831698	I (changeover)	Lead output on right
MADE TO ORDER	Dual-current 831698	I (changeover)	Lead output on left or cable output
MADE TO ORDER	Dual-current reduced differential travel 831699	I (changeover)	Lead output on right
MADE TO ORDER	Dual-current reduced differential travel 831699	I (changeover)	Lead output on left or cable output

Electrical characteristics

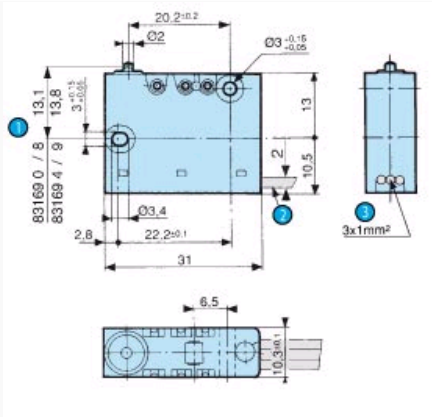
Rating nominal / 250 VAC (A)	8
Rating thermal / 250 VAC (A)	10
Mechanical characteristics	
Maximum operating force (N)	4,5
Min. Release force (N)	1
Maximum total travel force (N)	8
Max. permitted overtravel force (N)	20
Rest position max. (mm)	15,9
Operating position (mm)	14,7 ⁺ 0,5
Maximum differential travel (mm)	0,35
Min. overtravel (mm)	1
Ambient operating temperature (°C)	-20 → +85
Mechanical life (operations)	5 x 10 ⁶
Contact gap (mm)	0,4
Weight (g)	30
Connections	
Wire output on right	D
Wire output on left	G
Cable output	C
Leads connection	Flexible PVC leads 1 mm ² length 0.50 m, Ø ext. 2 mm
Cable connection	PVC 3 x 0.75 mm ² length 0.50 m, Ø ext. 5 mm

Additional specifications

- Case: polyester UL 94 VO
- Contacts: silver/nickel - gold alloy (dual-current)
- Membrane: fluoro-silicon

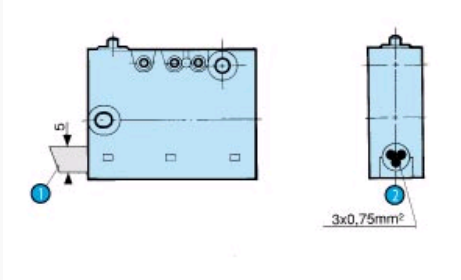
- stainless steel
- Roller: polyamide
- Plunger: stainless steel

Dimension Diagram : Lead output



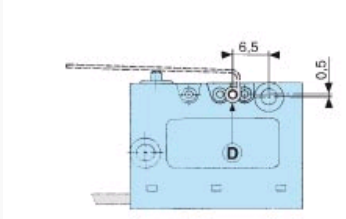
N°	Legend
1	OL = 13.1
2	Right output
3	Lead 1 mm ² 1 = black lead (common) 2 = brown lead (NC) 4 = blue lead (NO)

Dimension Diagram : Cable output

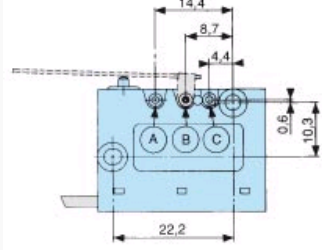


N°	Legend
1	Left output
2	Cable 3 x 0.75 mm ² 1 = black lead (common) 2 = brown lead (NC) 4 = blue lead (NO)

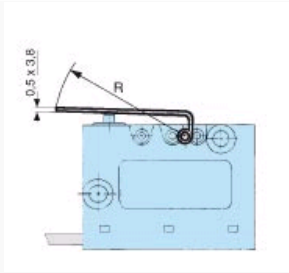
Dimension Diagram : Levers type 139



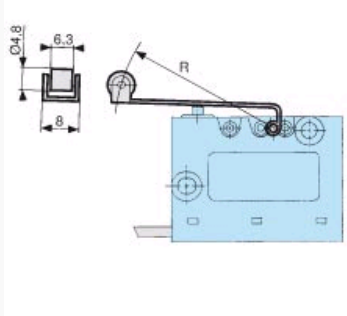
Dimension Diagram : Levers type 161



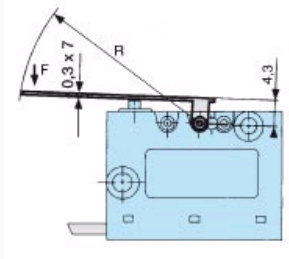
Dimension Diagram : 139 AX



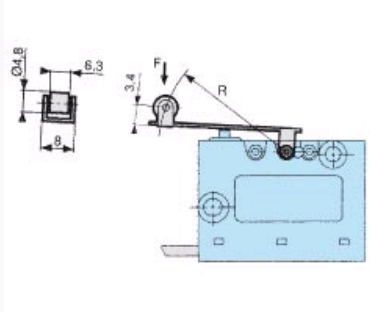
Dimension Diagram : 139 EX



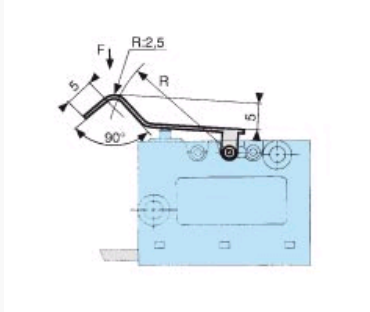
Dimension Diagram : 161 A



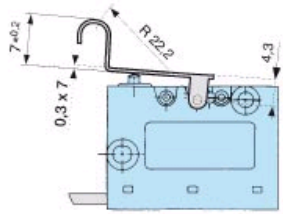
Dimension Diagram : 161 E



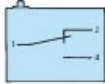
Dimension Diagram : 161 F



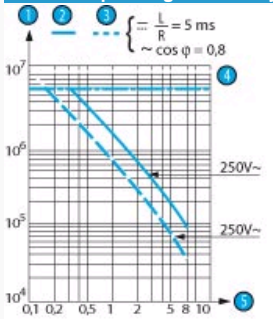
Dimension Diagram : 161 G



: Single break changeover switch



Curves : Operating curve for type 831690



N°	Legend
1	Number of cycles
2	Resistive circuit
3	Inductive circuit
4	Mechanical life limit
5	Current in Amps

Part numbers for standard actuators

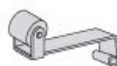
79 215 740

70 507 524

79 215 742

70 507 529

Actuators

Flat 139 AX
R29.7 mm**Roller 139 EX
R28.7 mm**Flat 161A
R14.2* - R25.4 mm*Roller 161E
R13.6* - R24.1 mm*

Fixing position

D

D

A

B

A

B

C

A

B

A

B

C

Operating force - max.

N

2.5

2.5

2.5

4.2

1.4

2.5

3.5

2.5

4.5

1.4

2.5

3.5

Release force - min.

N

0.4

0.4

0.5

1

0.25

0.5

0.6

0.5

1

0.25

0.5

0.6

Differential travel

mm

1.2 - 0.5

1.2 - 0.5

0.8

0.4

1.6

0.8

0.6

0.8

0.4

1.6

0.8

0.6

Part numbers for standard actuators

70 507 328

79 218 651

Actuators

Flat 161F R22.3 mm*

Dummy roller 161 G*



Fixing position

A

B

A

B

Operating force - max.

N

1.5

2.6

1.5

2.6

Release force - min.

N

0.25

0.5

0.25

0.5

Differential travel

mm

16

0.8

16

0.8

Unless mentioned specifically, flat and roller levers are supplied unassembled.

* For factory mounting, specify mounting position A, B or C...

** Supplied factory fitted

Note : We recommend greasing the switch pushbutton lightly when fitting actuators.

Special adaptations

- Special levers
- Special leads, cables, cable harnesses
- Approval: UL - cUL